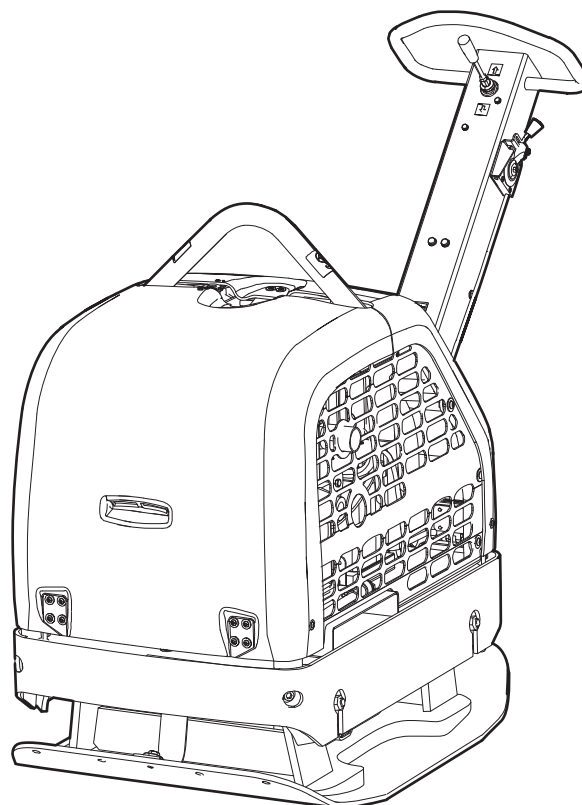


Spare parts list

Forward and reversible plate

MV 480

	Valid from serial number
MV 480 Hatz Electric start 700 mm	14800230



Contents

General information	5
Spare parts list	6
Protective frame, engine plate and safety crank handle	6
Ground plate and eccentric element installation	8
Block paving plate 700 mm (27.5 in.)	10
Eccentric element	12
Engine installation	14
Engine covers	16
Centrifugal clutch	18
Belt tightner	20
Hydraulic system	22
Control panel and battery installation	24
Handle	26
Throttle control	28
Labels	30
Kits	32
One year service kit	32
Shock absorber repair kit	32
Eccentric element repair kit	33
Forward and reverse piston repair kit	33
Block paving plate kit 700 mm (27.5 in.)	34
Safety crank handle kit	35

General information

This spare parts list applies to the following:

Part number	Description
4812 0991 39	Forward and reversing plate MV 480 Hatz Electric start

Use only authorized parts. Any damage or malfunction caused by the use of unauthorized parts is not covered by Warranty or Product Liability. Any unauthorized use or copying of the contents or any part thereof is prohibited. This applies in particular to trademarks, model denominations, part numbers, and drawings.

Instructions for use

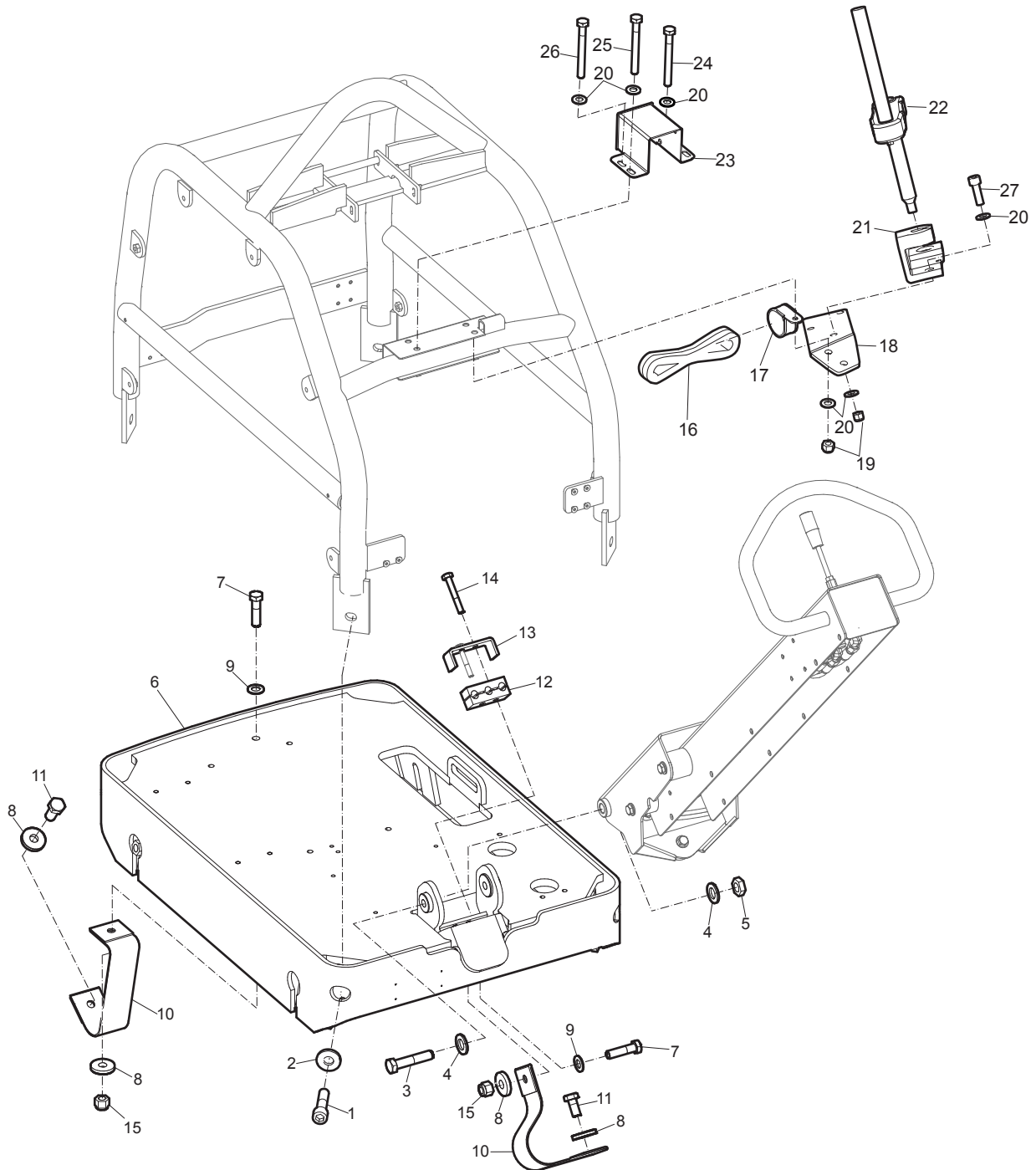
This spare parts list contains no safety regulations and is merely intended to assist in the ordering of spare parts.

For information about operating, servicing, or repairing, the relevant Safety and operating instructions must be consulted at all costs.

Please observe the safety instructions listed in the relevant Safety and operating instructions!

Spare parts list

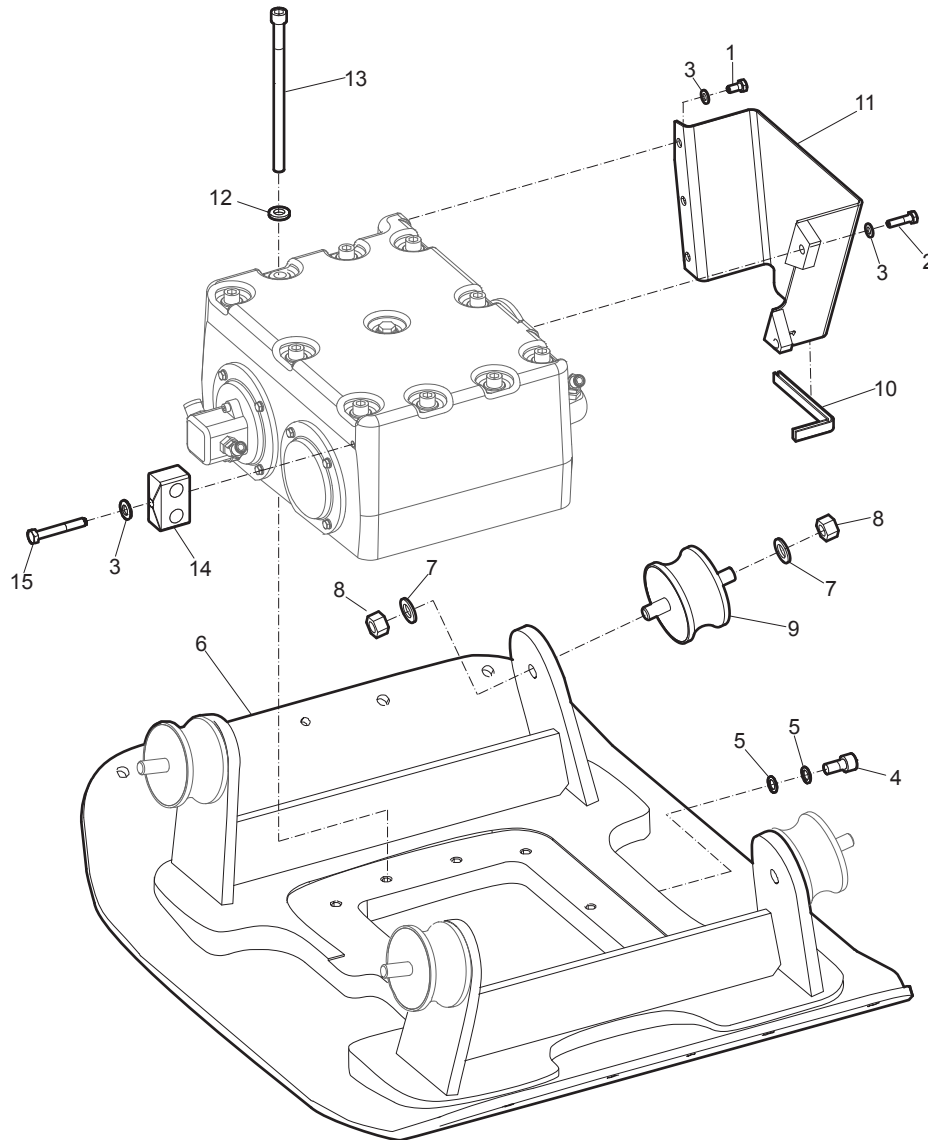
Protective frame, engine plate and safety crank handle



No.	Description	Remark	Quantity	Part number
1	Screw	M12 x 45 mm 8.8 A3K	4	-
2	Washer	13 x 30 x 4 mm 0.51 x 1.18 x 0.16 in. 300 HV	4	-
3	Screw	M16 x 75 mm 10.9 GEOMET®	2	4700 9479 43
4	Washer	17 x 30 x 3 mm 0.70 x 1.18 x 0.12 in. 300 HV	8	-
5	Nut	M16 A3K	4	-
6	Engine plate		1	4812 0705 72
7	Screw	M12 x 45 mm 8.8 A3K	2	-
8	Washer	13 x 36 x 6 mm 0.51 x 1.42 x 0.24 in. 300 HV	4	-
9	Washer	13 x 24 x 2 mm 0.51 x 0.98 x 0.08 in. 300 HV	2	-
10	Safety strap		2	3382 0100 21
11	Screw	M8 x 20 mm 8.8 A2K	2	-
12	Hose holder		1	4700 2805 35
13	Safety strap		1	3382 0100 21
14	Screw	M12 x 45 mm 8.8 A3K	2	-
15	Nut	M12	2	-
16	V-belt		2	4700 2813 70
17	Pipe clamp		1	4700 2837 11
18	Bracket		1	4700 3966 75
19	Nut	M8 ISO7040	5	-
20	Washer	8.4 x 16 x 1.5 mm 0.33 x 0.63 x 0.06 in. 300 HV	8	-
21	Holder		1	4700 2811 83
22	Safety crank handle		1	4700 3943 97
23	Holder		1	4700 3787 56
24	Screw	M8 x 75 mm 8.8 A2K	1	-
25	Screw	M8 x 55 mm 8.8 A2K	2	-
26	Screw	M8 x 65 mm 8.8 A2K	1	-
27	Screw	M8 x 25 mm 8.8 A2K	3	-

GEOMET is a registered trademark of Nof Metal Coatings North America Inc.

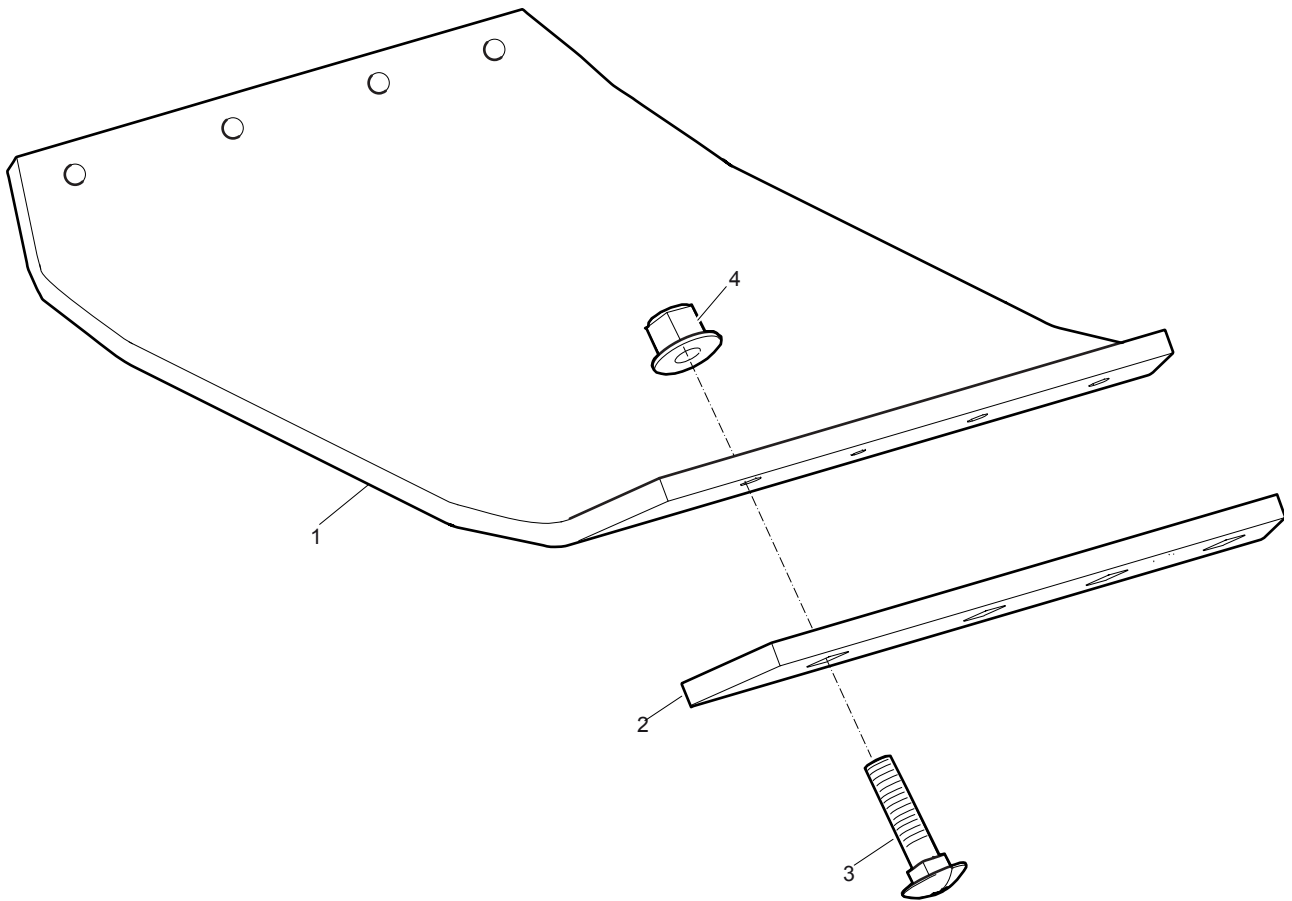
Ground plate and eccentric element installation



No.	Description	Remark	Quantity	Part number
1	Screw	M8 x 16 mm 8.8 A2K	3	-
2	Screw	M8 x 30 mm	1	-
3	Washer	8.4 x 16 x 1.5 mm 0.33 x 0.63 x 0.06 in. 300 HV	6	-
4	Screw	M10 x 20 mm	1	-
5	Copper washer	10 x 16 x 1 mm 0.39 x 0.63 x 0.04 in.	2	-
6	Ground plate	700 mm 27.56 in.	1	4700 3903 21
7	Washer	17 x 30 x 3 mm 0.70 x 1.18 x 0.12 in. 300 HV	8	-
8	Nut	M16 A3K	8	-
9	Shock absorber		4	4700 2804 54
10	Edge trim	165 mm 6.5 in.	1	4700 2020 28
11	V-belt cover		1	4700 3931 66
12	Washer	13 x 24 x 6 mm 0.51 x 0.95 x 0.16 in. 300 HV	10	-
13	Screw	M12 x 200 mm 12.9 GEOMET®	10	4700 9289 44
14	Hose holder		1	4700 3834 58
15	Screw	M8 x 55 mm 8.8 A2K	1	-

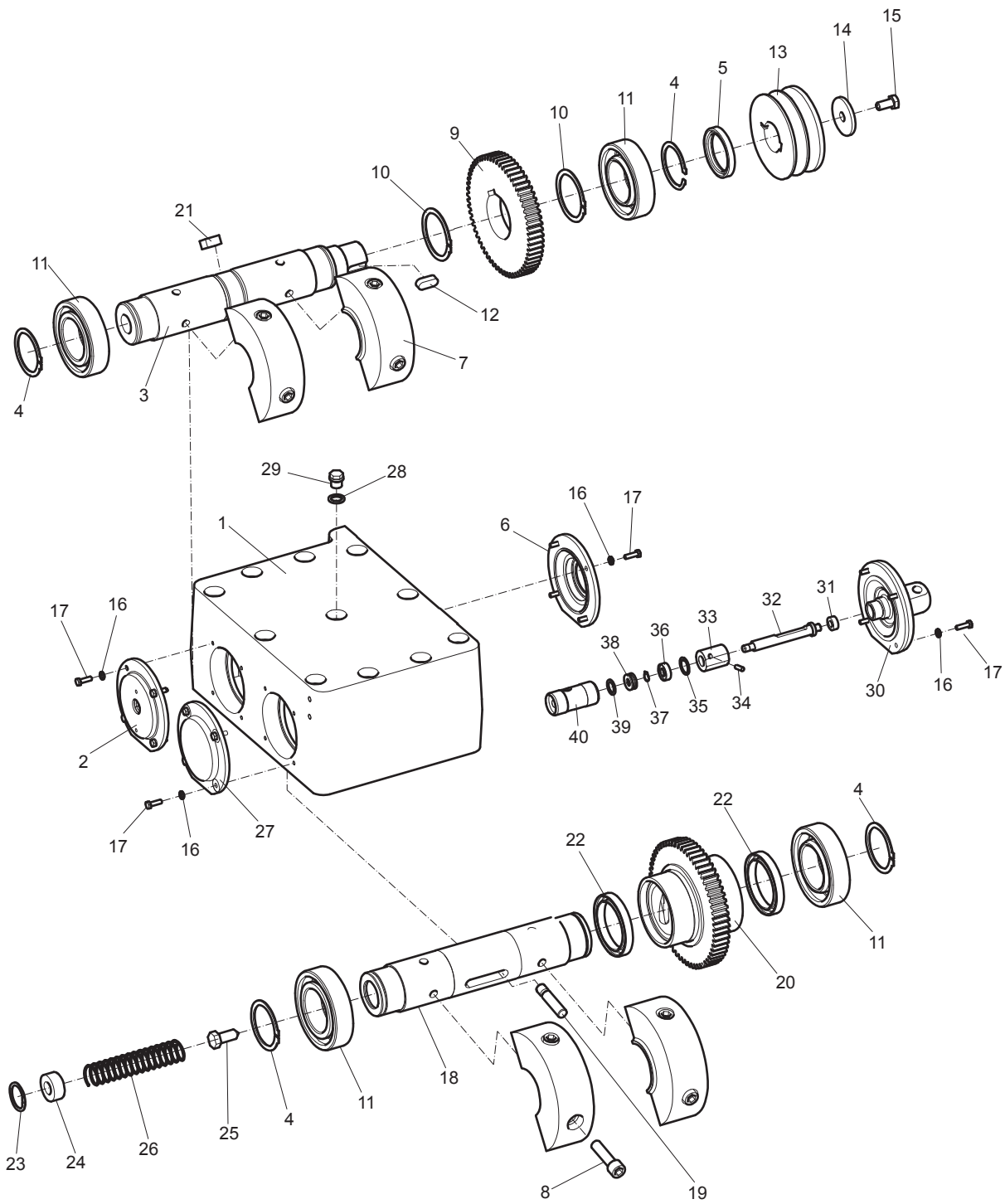
GEOMET is a registered trademark of Nof Metal Coatings North America Inc.

Block paving plate 700 mm (27.5 in.)



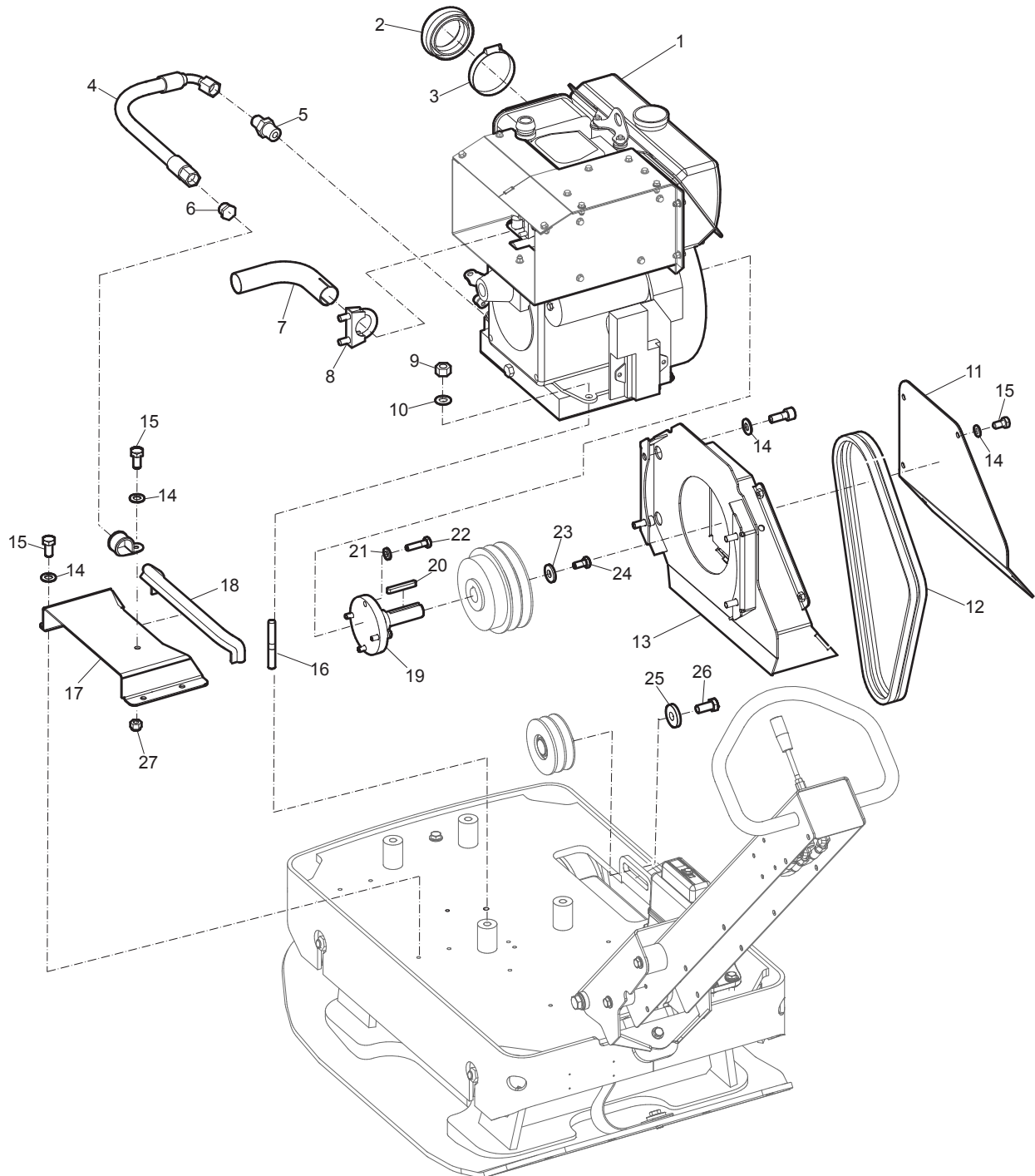
No.	Description	Remark	Quantity	Part number
1	Ground plate	Polyurethane	1	4700 3912 67
2	Bracket		2	4700 3913 45
3	Screw	M10 x 50 mm 4.6 A3K	8	-
4	Lock nut	M10 x 1.5 mm A3K	8	-

Eccentric element



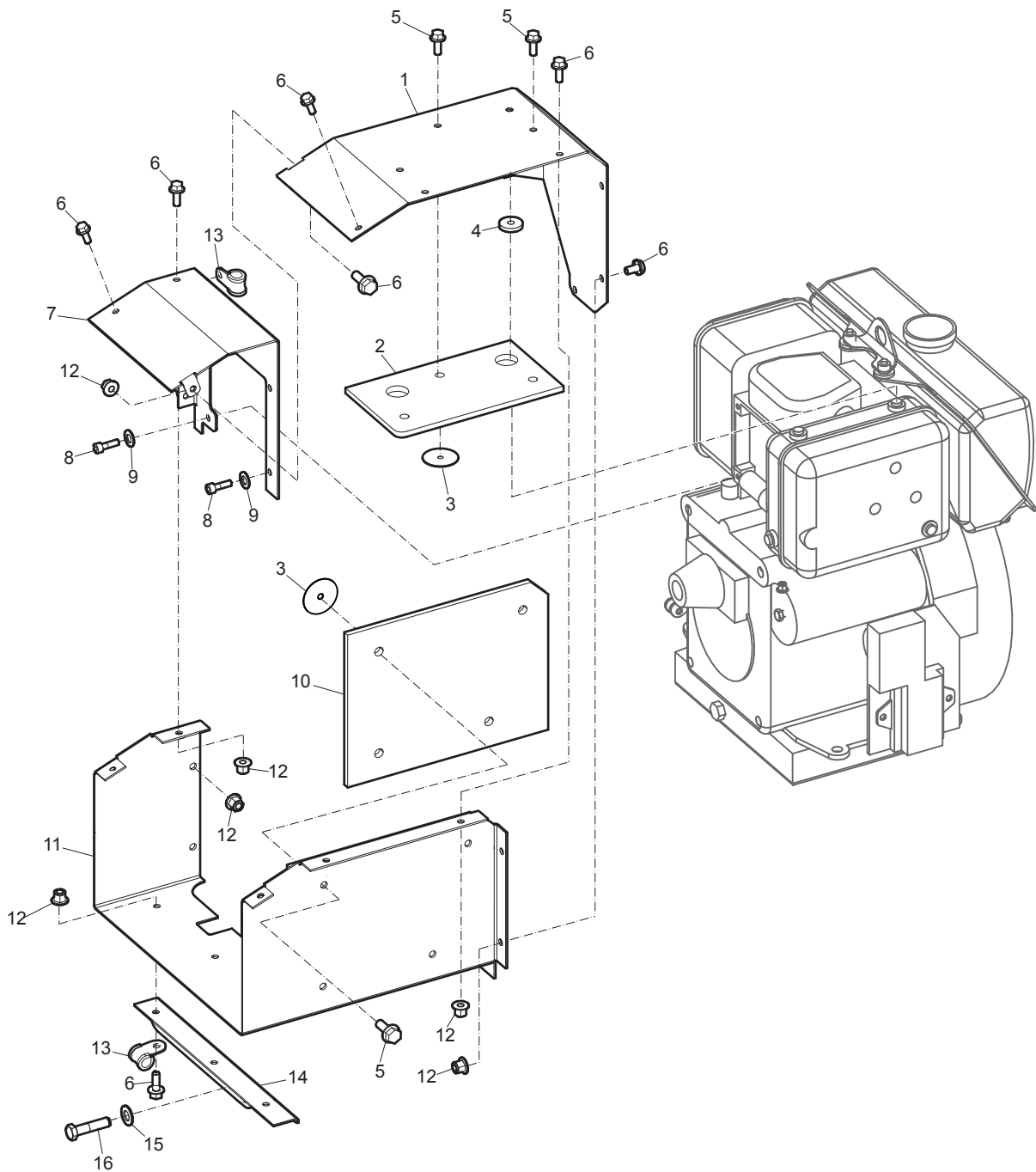
No.	Description	Remark	Quantity	Part number
1	Eccentric housing		1	4700 3975 20
2	Cover		1	4700 3790 79
3	Shaft		1	4700 3779 86
4	Retainer ring		4	4700 1500 33
5	Sealing ring		1	4700 9287 94
6	Cover		1	4700 3790 80
7	Eccentric weight		4	4700 3975 22
8	Screw	M12 x 45 mm 8.8 A3K	8	-
9	Gear		1	4700 3782 16
10	Snap ring		2	4700 1500 20
11	Ball bearing		4	4700 9287 86
12	Key		1	4700 9287 88
13	Pulley		1	4700 3777 76
14	Washer		1	4700 2804 32
15	Screw	M10 x 20 mm 8.8 A3K	1	-
16	Washer	6.4 x 12 x 1.5 mm 0.25 x 0.47 x 0.06 in. 300 HV	16	-
17	Screw	M6 x 20 mm 8.8 A2K	16	-
18	Eccentric weight		1	4812 0700 73
19	Pin		1	4700 2804 42
20	Reverser		1	4812 0700 93
21	Key		1	4700 2804 50
22	Ball bearing		2	4700 9287 96
23	Retainer ring		1	4700 9287 87
24	Stop		1	4700 2804 48
25	Stop screw		1	4700 2804 49
26	Spring		1	4700 9287 98
27	Cover		1	4700 3790 81
28	Washer	16.7 x 24 x 1.5 mm Type A M16 0.66 x 4.88 x 0.06 in.	1	-
29	Plug		1	4700 2321 43
30	Hydraulic cylinder		1	4812 0700 42
31	Sealing ring		1	4700 2812 76
32	Piston rod		1	4812 0700 44
33	Cap		1	4812 0700 43
34	Spring pin		1	4700 6290 62
35	Retainer ring		1	4700 1510 39
36	Ball bearing		1	4812 0703 59
37	Retainer ring		1	4700 1500 02
38	Thrust ball bearing		1	4812 0703 62
39	Spring washer		1	4812 0703 63
40	Piston		1	4812 0700 52

Engine installation



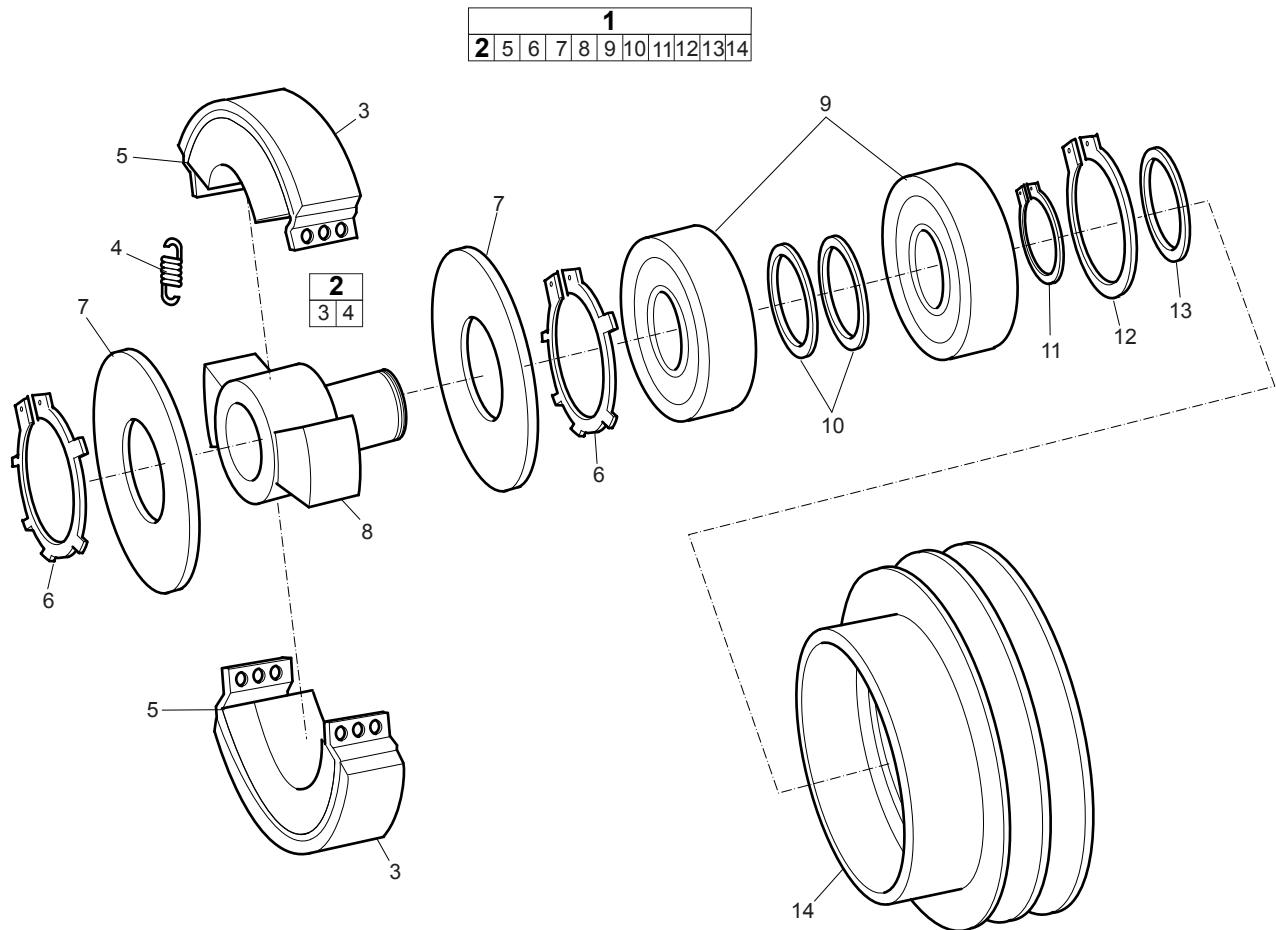
No.	Description	Remark	Quantity	Part number
1	Engine	Hatz 1D50 Delivered without engine covers.	1	4700 3778 91
2	Edge trim	255 mm 10.04 in.	1	4700 2881 29
3	Hose clamp		1	4700 3130 22
4	Hose		1	4700 4825 93
5	Connector		1	4700 9039 25
6	Plug		1	4700 2320 95
7	Exhaust pipe		1	4700 3931 52
8	Pipe clamp		1	4700 7921 20
9	Nut	M12 x 1.75 mm A3K	4	-
10	Washer	13 x 30 x 4 mm 0.51 x 1.18 x 0.16 in. 300 HV	4	-
11	V-belt cover	Outer	1	4812 0705 71
12	V-belt		2	4700 2813 70
13	V-belt cover	Inner	1	4700 3920 95
14	Washer	8.4 x 16 x 1.5 mm 0.33 x 0.63 x 0.06 in. 300 HV	11	-
15	Screw	M8 x 16 mm 8.8 A2K	10	-
16	Stud	M12 x 65 mm 8.8 FZB DIN939	4	4700 7926 48
17	Cover		1	4700 3931 64
18	Edge trim	360mm 14.17 in.	1	4700 2881 29
19	Engine shaft		1	4700 2811 94
20	Key		1	4700 3500 36
21	Washer	8.4 x 16 x 3 mm 0.33 x 0.63 x 0.12 in. 300 HV	4	-
22	Screw	M8 x 30 mm	4	-
23	Washer	13 x 30 x 4 mm 0.51 x 1.18 x 0.16 in. 300 HV	1	-
24	Screw	M10 x 20 mm 8.8 A3K	1	-
25	Washer	13 x 36 x 6 mm 0.51 x 1.42 x 0.24 in. 300 HV	1	-
26	Screw	M12 x 25 mm 8.8 A3K	1	-
27	Nut	M8	1	-

Engine covers



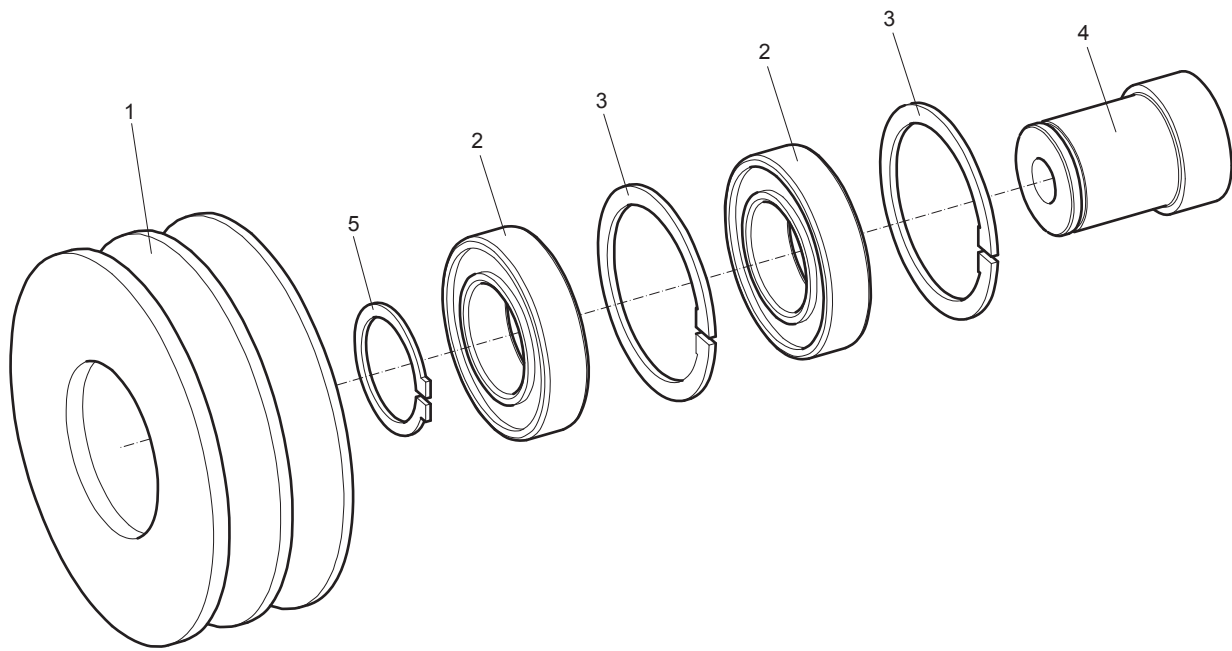
No.	Description	Remark	Quantity	Part number
1	Cover		1	4700 3932 32
2	Insulation		1	4700 3778 54
3	Insulation washer	Ø40 mm Ø1.57 in.	7	-
4	Washer	6.4 x 22 x 4 mm 0.25 x 0.87 x 0.16 in. 300 HV	1	-
5	Thread forming screw	M6 x 16 mm A2K	7	-
6	Screw	M6 x 16 mm 8.8 A2K	16	-
7	Cover		1	4700 3932 28
8	Screw	M6 x 20 mm 8.8 A2K	4	-
9	Washer	6.4 x 12 x 1.5 mm 0.25 x 0.47 x 0.06 in. 300 HV	4	-
10	Insulation		1	4700 3932 26
11	Cover		1	4700 3932 25
12	Nut	M6 A2K	13	-
13	Pipe clamp		3	4700 7913 41
14	Bracket		1	4700 3936 11
15	Washer	13 x 24 x 2 mm 0.51 x 0.98 x 0.08 in. 300 HV	2	-
16	Screw	M12 x 50 mm 8.8 A3K	2	-

Centrifugal clutch



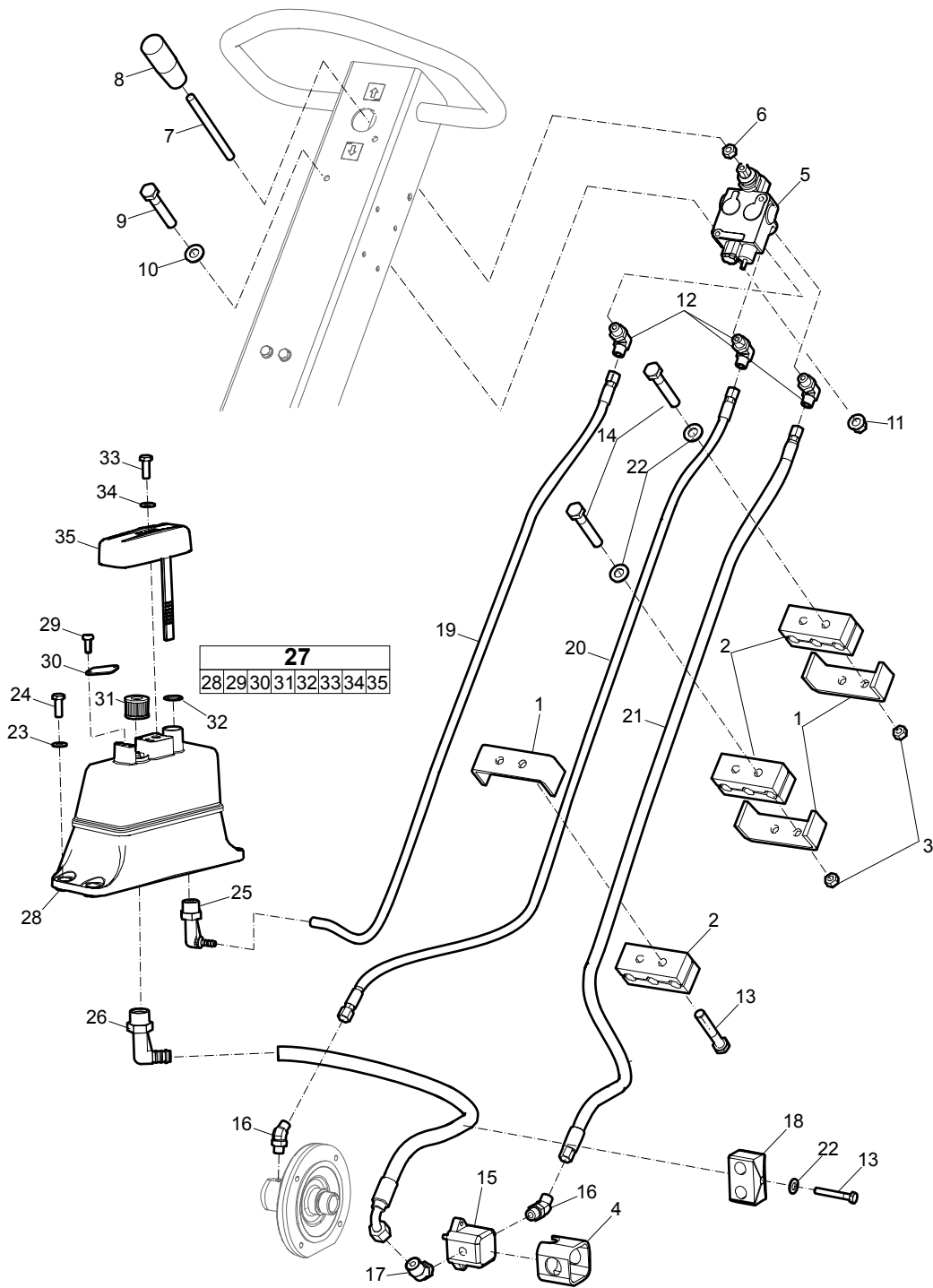
No.	Description	Remark	Quantity	Part number
1(2,5-14)	Centrifugal clutch, complete		1	4700 3784 76
2(3-4)	Lining, complete		1	4700 9458 17
3	Lining		2	-
4	Spring		4	4700 9382 68
5	Weight		2	4700 9458 13
6	Retainer ring		2	4700 9458 15
7	Cover		2	4700 9458 18
8	Hub		1	4700 9458 12
9	Ball bearing		2	4700 9458 02
10	Shim		2	4700 9458 11
11	Retainer ring		1	4700 9356 35
12	Retainer ring		1	4700 9458 10
13	Shim		1	4700 9458 16
14	V-belt pulley		1	4700 9458 09

Belt tightner



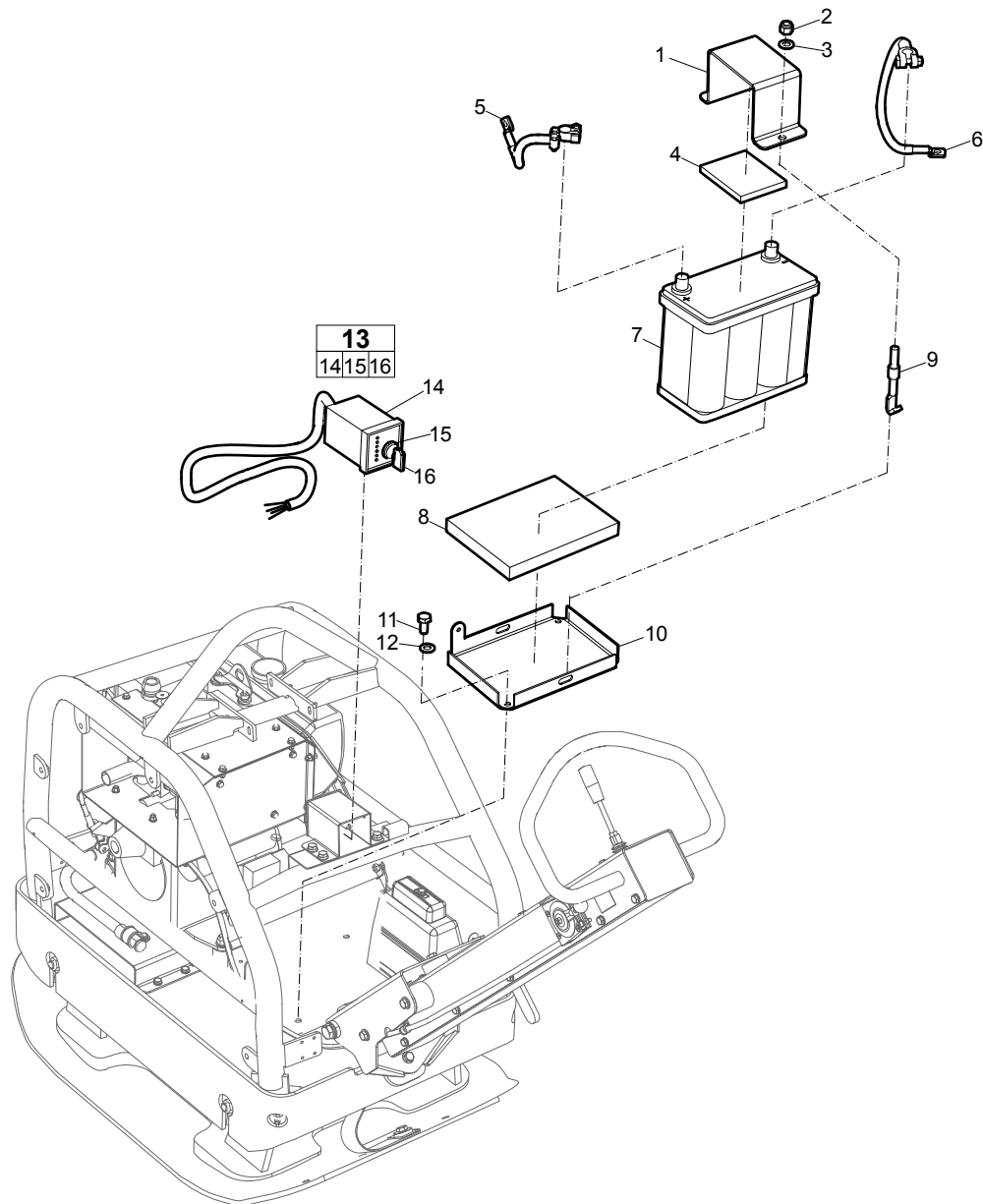
No.	Description	Remark	Quantity	Part number
1	V-belt pulley		1	4700 3805 17
2	Ball bearing		2	4700 1111 80
3	Retainer ring		2	4700 1510 19
4	Shaft		1	4700 3780 61
5	Snap ring		1	4700 1500 12

Hydraulic system



No.	Description	Remark	Quantity	Part number
1	Bracket		3	3382 0101 82
2	Hose holder		3	4700 2805 34
3	Nut	M8 ISO7040	4	-
4	Protection		1	4700 2805 40
5	Valve		1	4700 2813 75
6	Nut	M8 A2K	1	-
7	Rod		1	4700 3904 50
8	Knob		1	4700 9038 21
9	Screw	M6 x 50 mm 8.8 A2K	2	-
10	Washer	6.4 x 12 x 1.5 mm 0.25 x 0.47 x 0.06 in. 300 HV	2	-
11	Nut	M6 A2K	2	-
12	Elbow	G $\frac{1}{4}$ in. and $\frac{1}{16}$ in. 90°	3	4700 7913 97
13	Screw	M8 x 55 mm 8.8 A2K	3	-
14	Screw	M8 x 50 mm 8.8 A2K	4	-
15	Hydraulic pump		1	4700 3835 62
16	Elbow	M14 x 1.5 mm and $\frac{1}{16}$ in. - 16 UNF 45°	2	4700 7924 43
17	Elbow	M14 x 1.5 mm and $\frac{1}{8}$ in. - 16 UNF 45°	1	4700 7922 53
18	Hose holder		1	4700 3834 58
19	Hydraulic hose	Connected to port "T".	1	4700 3792 07
20	Hydraulic hose	Connected to port "A".	1	4700 4841 25
21	Hydraulic hose	Connected to port "P".	1	4700 4841 26
22	Washer	8.4 x 16 x 1.5 mm 0.33 x 0.63 x 0.06 in. 300 HV	5	-
23	Washer	10.5 x 22 x 2 mm 0.41 x 0.87 x 0.08 in. 300 HV	4	-
24	Screw	M10 x 30 mm 8.8 A3K	4	-
25	Adapter		1	4700 3766 74
26	Adapter		1	4700 3766 75
27(28-35)	Hydraulic oil tank, complete		1	4700 3766 76
28	Oil tank		1	-
29	Screw	K50 x 12 mm Type KX-PT	2	-
30	Cover		1	4700 3815 63
31	Filter		1	4700 3815 66
32	O-ring	16.3 x 2.4 mm 0.64 x 0.09 in.	1	4700 1601 10
33	Screw	M8 x 25 mm 8.8 A2K	1	-
34	Washer	8.4 x 16 x 1.5 mm 0.33 x 0.63 x 0.06 in. 300 HV	1	-
35	Cover with oil dipstick		1	4700 3813 85

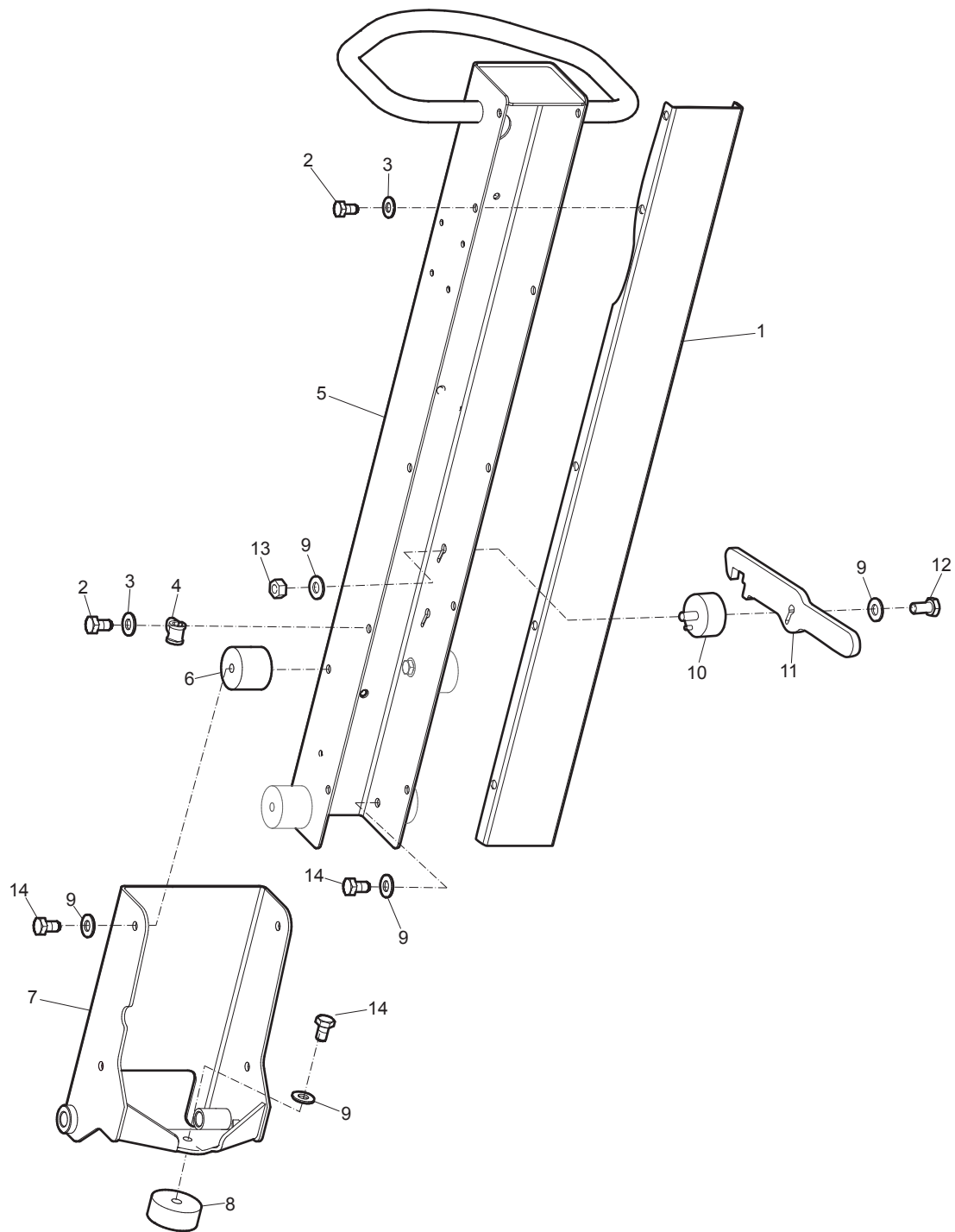
Control panel and battery installation



No.	Description	Remark	Quantity	Part number
1	Battery holder		1	4700 3938 48
2	Nut	M12 ISO7040	2	-
3	Washer	13 x 24 x 2 mm 0.51 x 0.98 x 0.08 in. 300 HV	2	-
4	Insulation		1	4700 3790 62
5	Connection cable	Connected to positive terminal of battery.	1	4700 7922 00
6	Connection cable	Connected to negative terminal of battery.	1	4700 9041 00
7	Battery		1	4700 3787 19
8	Insulation		1	4700 3790 61
9	Battery screw		2	4700 3938 49
10	Battery holder		1	4700 3792 43
11	Screw	M8 x 16 mm 10.9 GEOMET®	4	4700 9476 78
12	Washer	8.4 x 16 x 1.5 mm 0.33 x 0.63 x 0.06 in. 300 HV	4	-
13(14-16)	Control panel, complete		1	4700 3780 72
14	Control panel		1	-
15	Ignition switch		1	4700 9381 46
16	Ignition key		1	4700 9380 86

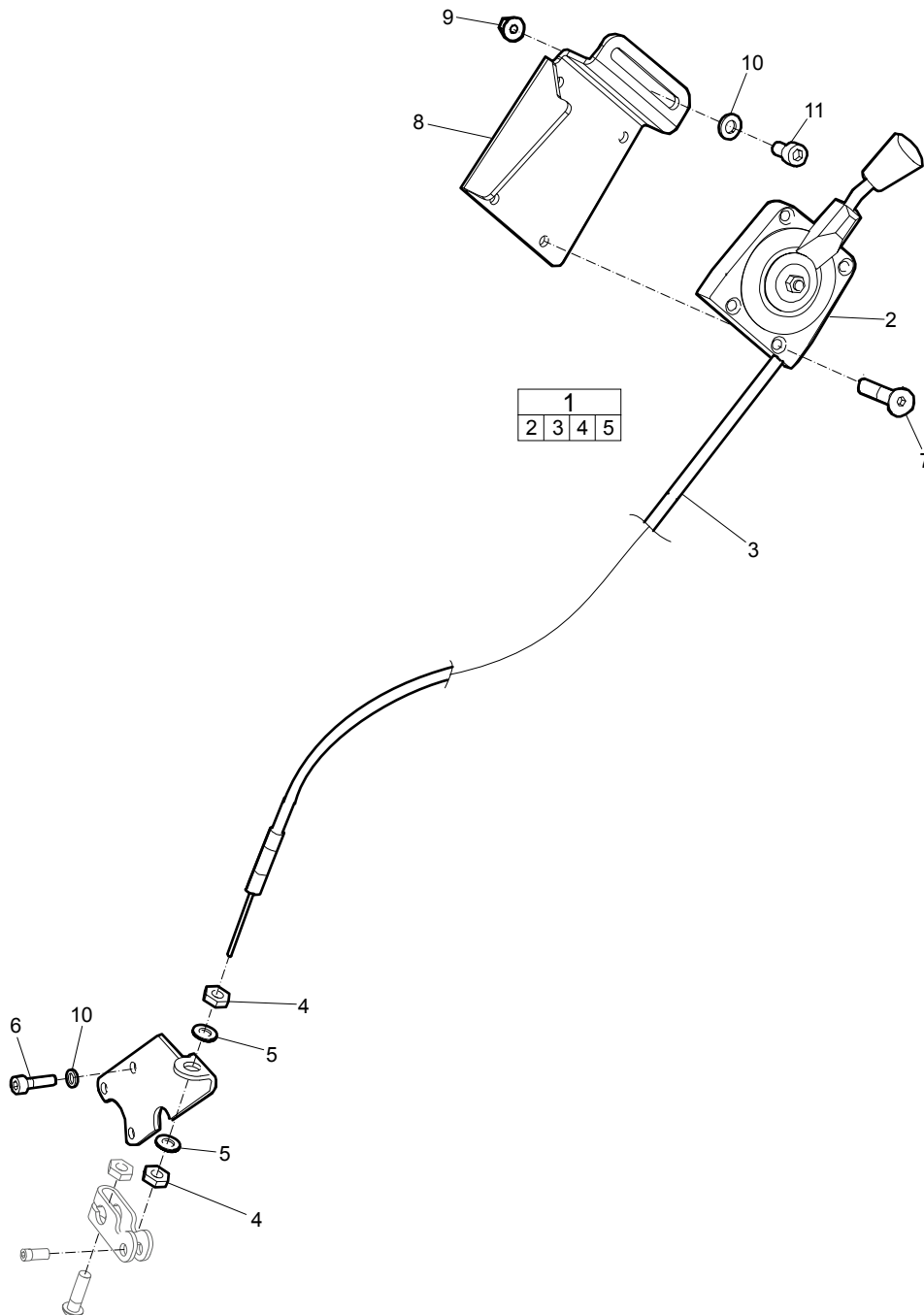
GEOMET is a registered trademark of Nof Metal Coatings North America Inc.

Handle



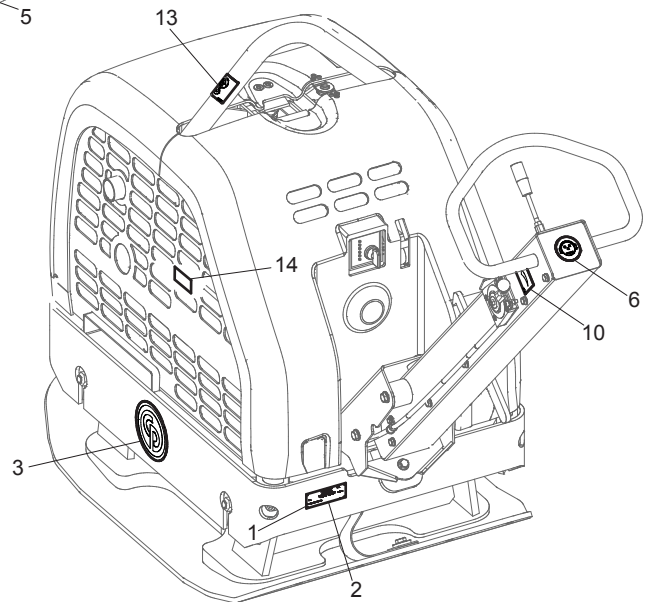
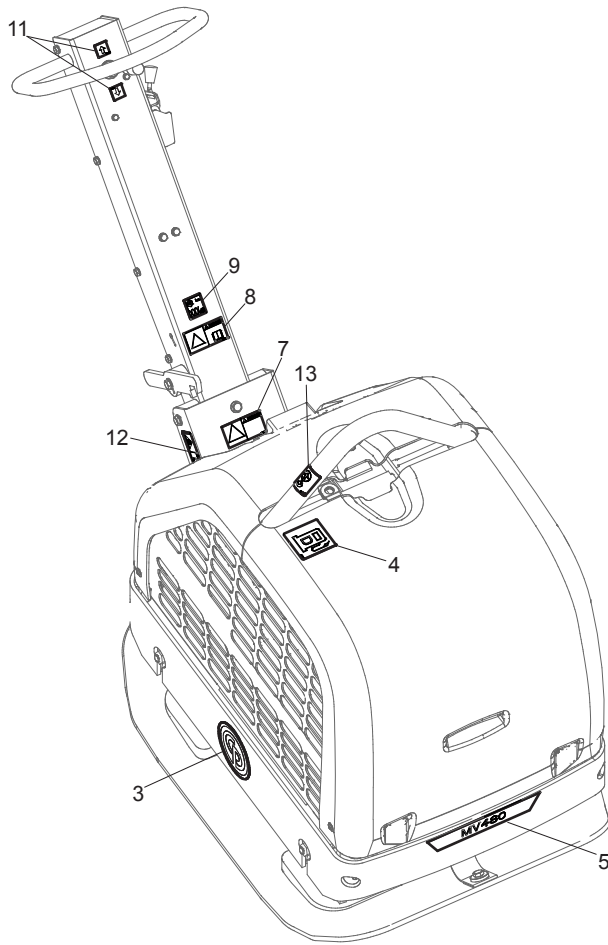
No.	Description	Remark	Quantity	Part number
1	Cover		1	3382 0108 45
2	Screw	M8 x 16 mm 8.8 A2K	11	-
3	Washer	8.4 x 16 x 1.5 mm 0.33 x 0.63 x 0.06 in. 300 HV	11	-
4	Pipe clamp		1	4700 7913 41
5	Handle		1	4812 0705 74
6	Shock absorber		4	3382 0101 82
7	Bracket		1	4812 0705 75
8	Shock absorber		1	4700 7913 73
9	Washer	10.5 x 22 x 2 mm 0.41 x 0.87 x 0.08 in. 300 HV	11	-
10	Shock absorber		1	4700 3853 87
11	Hook		1	4700 3790 04
12	Screw	M10 x 20 mm 8.8 A3K	1	-
13	Nut	M10	1	-
14	Screw	M10 x 16 mm 8.8 A3K	9	-

Throttle control



No.	Description	Remark	Quantity	Part number
1(2-5)	Throttle control, complete		1	4700 3933 19
2	Handle		1	4700 4550 19
3	Throttle wire		1	4700 3933 18
4	Nut		2	-
5	Washer		2	-
6	Screw	M6 x 20 mm 8.8 A2K	3	-
7	Screw	M5 x 25 mm A2-70	3	-
8	Bracket		1	4812 0701 15
9	Nut	M6	1	-
10	Washer	6.4 x 12 x 1.5 mm 0.25 x 0.47 x 0.06 in. 300 HV	4	-
11	Screw	M6 x 20 mm 8.8 A2K	1	-

Labels



No.	Description	Remark	Quantity	Part number
1	Screw	KDS 2 x 5 mm	4	-
2	Data plate		1	-
3	Product label	"CP"	2	3315 3857 05
4	Label	Diesel fuel	1	4700 9916 58
5	Product label	"MV 480"	1	4812 0705 88
6	Label	Use ear protection	1	4700 2818 98
7	Safety label	Crush zone	1	4700 9047 85
8	Safety label	Read instruction manual	1	4700 9046 80
9	Noise level label		1	4700 7912 96
10	Label	Engine speed	1	4700 2842 85
11	Label	Direction	2	4700 2842 78
12	Safety label	Lock handle	1	4700 9082 29
13	Label	Lift point	2	4700 3575 87
14	Safety label	Rotating V-belts	1	4700 9038 32

Kits

One year service kit

One year service kit

Part number 3382 1000 91

Description	Remark	Quantity	Part number
Air filter		5	4700 2393 28
Fuel filter		5	4700 9378 73
Gasket	For oil drain plug.	1	4700 7484 79
V-belt	See section "Engine installation".	2	4700 2813 70
Gasket	For valve cover.	1	4700 2393 33
Oil filter		5	4700 2393 26

Shock absorber repair kit

Description	Remark	Quantity	Part number
Shock absorber repair kit		1	3382 1000 92
Shock absorber	For ground plate. See section "Ground plate and eccentric element installation".	4	4700 2804 54
Nut	M16 A3K See section "Ground plates and engine plate".	8	-
Washer	17 x 30 x 3 mm 0.70 x 1.18 x 0.12 in. 300 HV See section "Ground plates and engine plate".	8	-
Shock absorber	For handle. See section "Handle".	4	3382 0104 90
Screw	M10 x 16 mm 8.8 A3K See section "Handle".	8	-
Washer	10.5 x 22 x 2 mm 0.41 x 0.87 x 0.08 in. 300 HV See section "Handle".	11	-
Shock absorber	For handle. See section "Handle".	1	4700 7913 73
Screw	M10 x 16 mm 8.8 A3K See section "Handle".	1	-
Shock absorber	For hook. See section "Handle".	1	4700 3853 87
Screw	M10 x 20 mm 8.8 A3K See section "Handle".	1	-
Nut	M10 See section "Handle".	1	-

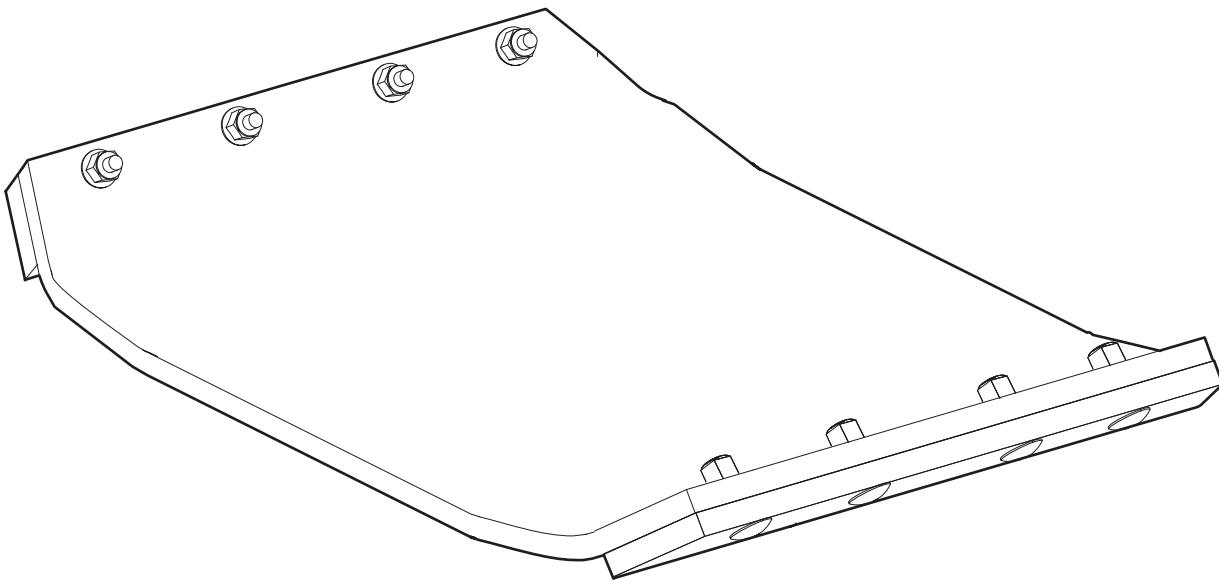
Eccentric element repair kit

Description	Remark	Quantity	Part number
Eccentric element repair kit		1	3382 1000 37
Sealing	See section "Eccentric element".	1	4700 9287 94
Ball bearing	See section "Eccentric element".	4	4700 9287 86
Washer	6.4 x 12 x 1.5 mm 0.25 x 0.47 x 0.06 in. 300 HV See section "Eccentric element".	16	-
Screw	M6 x 20 mm 8.8 A2K See section "Eccentric element".	16	-
Copper washer	16.7 x 24 x 1.5 mm 0.66 x 0.94 x 0.06 in. TYPE A, M16 See section "Eccentric element".	1	-
Retainer ring	See section "Eccentric element".	1	4700 9287 87
Sealing compound		1	4700 9299 06
Ball bearing	See section "Eccentric element".	2	4700 9287 96

Forward and reverse piston repair kit

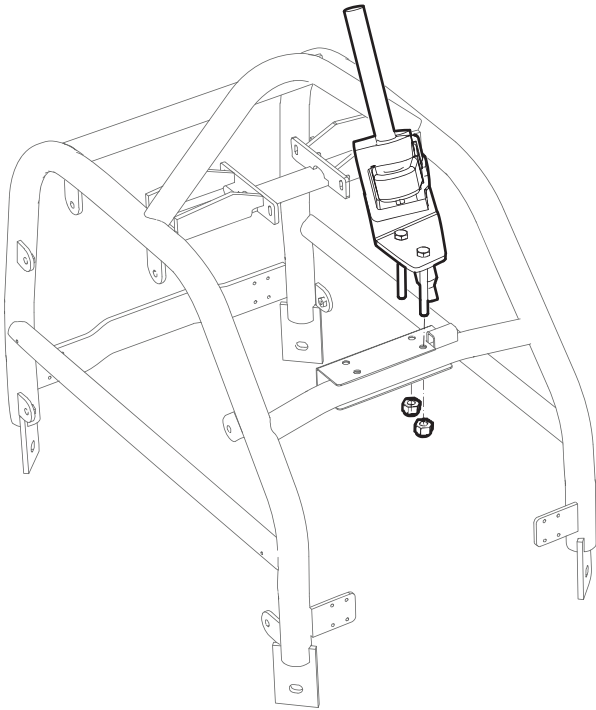
Description	Remark	Quantity	Part number
Forward and reverse piston repair kit		1	3382 1000 35
Sealing	See section "Eccentric element".	1	4700 2812 76
Piston rod	See section "Eccentric element".	1	4812 0700 44
Retainer ring	See section "Eccentric element".	1	4700 1510 39
Ball bearing	See section "Eccentric element".	1	4812 0703 59
Retainer ring	See section "Eccentric element".	1	4700 1500 02
Ball bearing	See section "Eccentric element".	1	4812 0703 62
Spring washer	See section "Eccentric element".	1	4812 0703 63
Cylinder	See section "Eccentric element".	1	4812 0700 42
Spirol pin	See section "Eccentric element".	1	4700 6290 62
Washer	6.4 x 12 x 1.5 mm 0.25 x 0.47 x 0.06 in. 300 HV See section "Eccentric element".	4	-
Screw	M6 x 20 mm 8.8 A2K See section "Eccentric element".	4	-

Block paving plate kit 700 mm (27.5 in.)



Description	Remark	Quantity	Part number
Block paving plate kit		1	4700 3944 69
Polyurethane plate	700 mm 27.5 in.	1	-
Bracket		2	-
Nut	M10 x 1.5 mm A3K	8	-
Screw	M10 x 45 mm 4.6 A3K	8	-

Safety crank handle kit



Description	Remark	Quantity	Part number
Safety crank handle kit		1	4700 3970 11
Bracket		1	-
Holder		1	-
Screw	M8 x 25 mm 8.8 A2K	3	-
Washer	8.4 x 16 x 1.5 mm 0.33 x 0.63 x 0.06 in. 300 HV	8	-
Nut	M8 ISO7040	5	-
Safety crank handle		1	-
Screw	M8 x 75 mm 8.8 A2K	2	-

