



# **Spare parts list**

## **Hydraulic Power Pack**

### **PAC D 10**





**2008-06**

**No. 3392 5163 01**

© Copyright Chicago Pneumatic Construction Tools  
STOCKHOLM • SWEDEN



## Introduction

Welcome! Protect your investment in the world's finest hydraulic tools. Use genuine CP replacement parts.

The purchase of replacement parts for your CP tools deserves the same good judgment that resulted in the purchase of the tools themselves. Each genuine CP part is made from carefully selected and inspected material, subjected to sophisticated machinery and finishing processes and heat-treated to produce just the right combination of hardness, ductility and impact resistance for its intended use. Each part is identical to, and made concurrently with, parts used in production tools.

The use of parts other than genuine CP replacement parts can lead to substandard performance, early failure, possible damage of other parts and, in some instances, unsafe conditions.

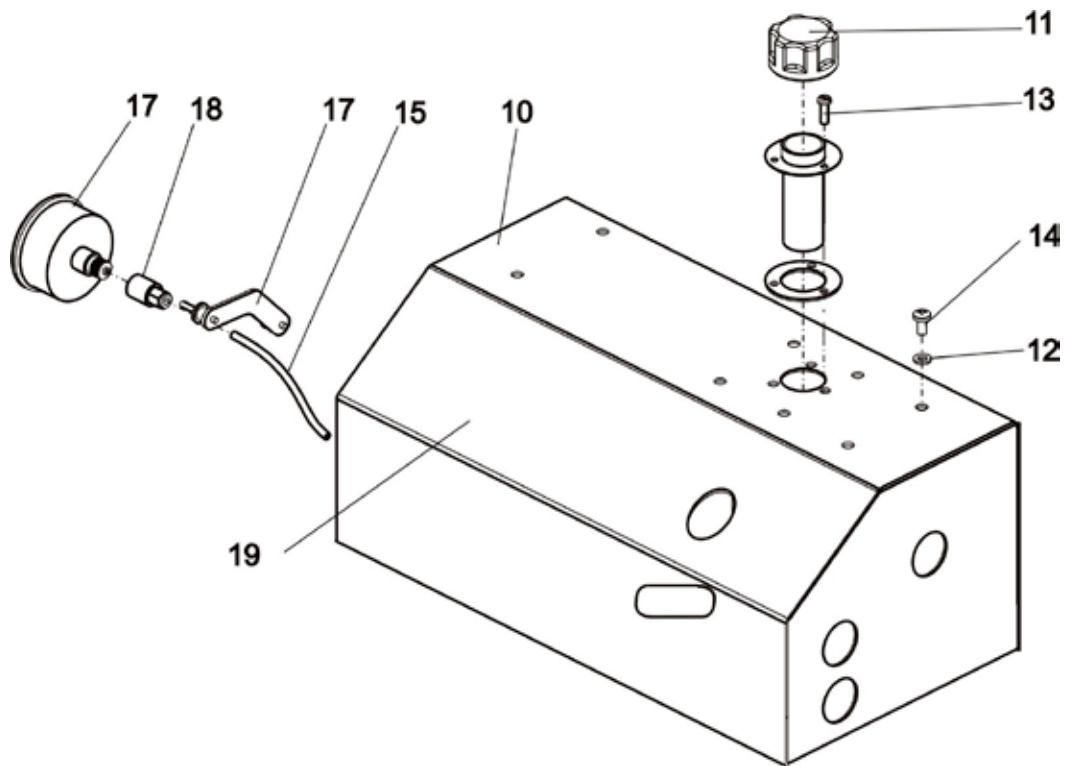
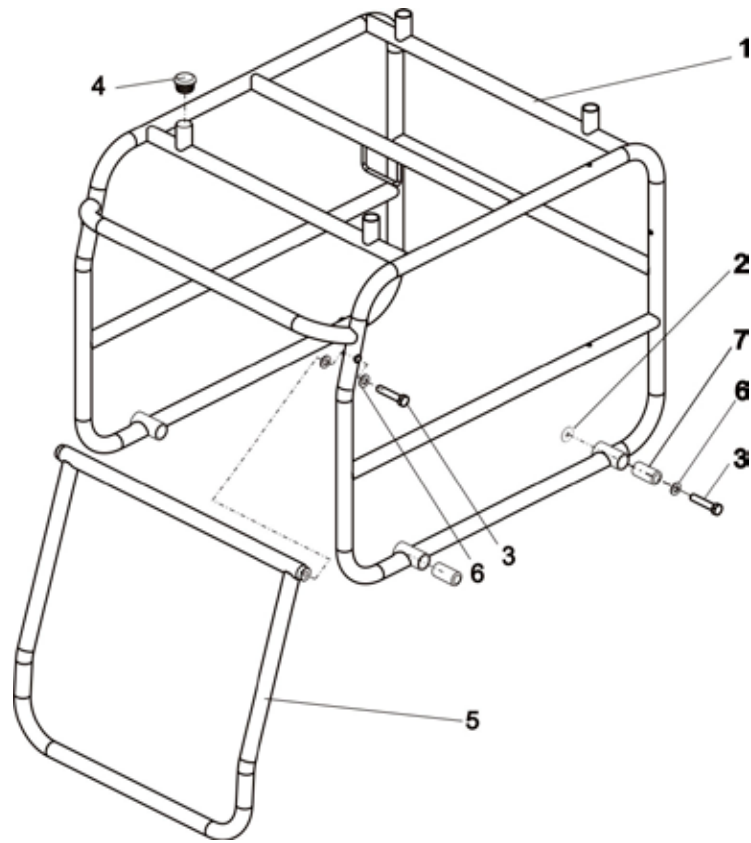
Use only authorized parts. Any damage or malfunction caused by unauthorized parts will not be covered by the Warranty or Product Liability.

Any machine modification not approved by Chicago Pneumatics may result in serious injuries to yourself or others.

To reduce the risk of injury, read and understand the relevant safety and operating instructions before operating the machine.

Before undertaking any maintenance or changing the working tool on hydraulic machines, always switch off the hydraulic oil supply and bleed the machine by activating the start and stop device. Then disconnect the hydraulic hose from the machine.

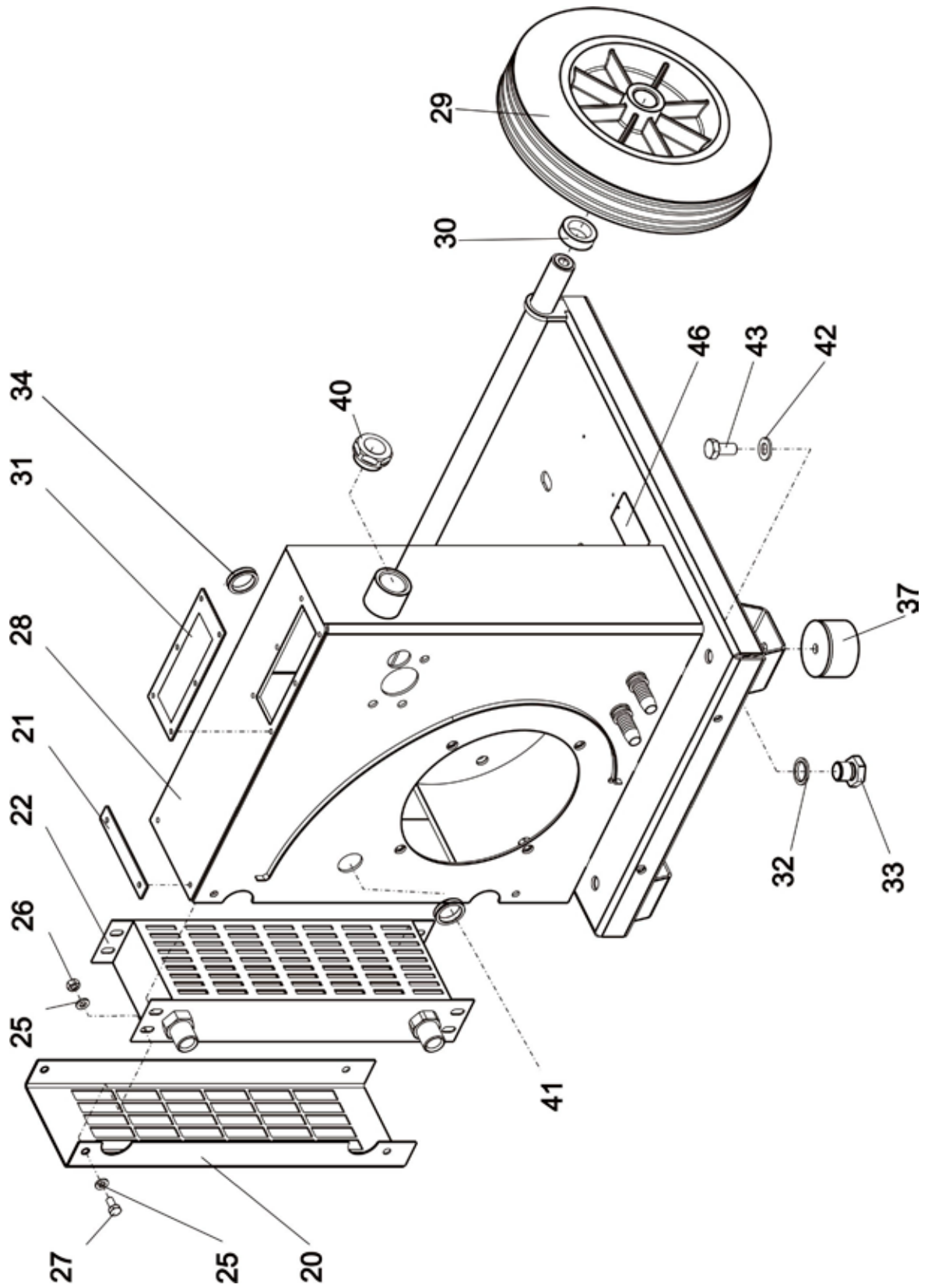
The PAC D 10 is a hydraulic power pack designed for operating CP hydraulic breakers and other work tools.



**A**



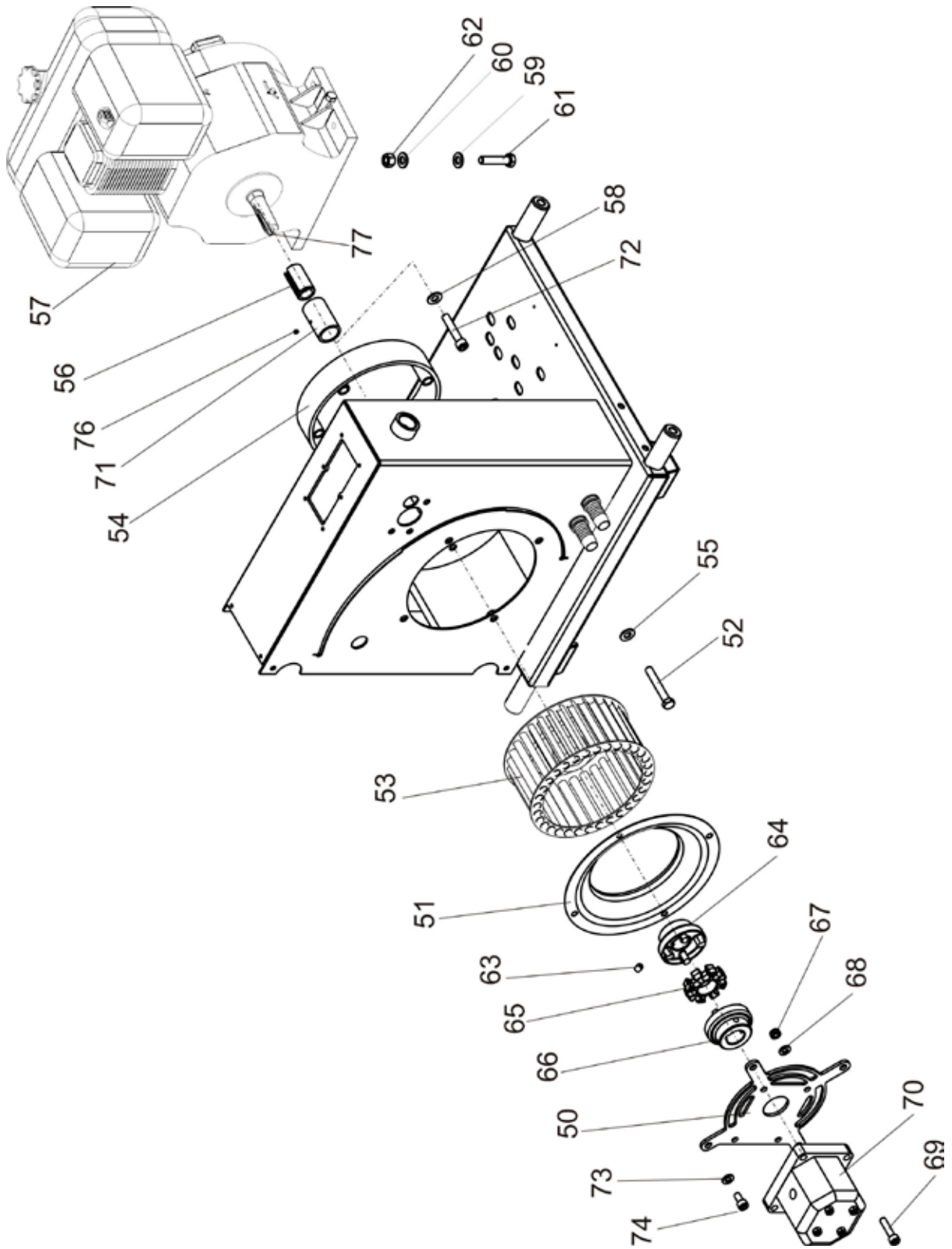
No.	Part Number	Quantity	Description
1	3377 0210 64	1	Frame
2	3377 1040 10	2	Washer 3/8"x35
3	3377 1200 10	6	Screw M10x50, use Loctite 245
4	3377 0057 04	4	Plastic pipe plug
5	3377 0210 61	1	Handle
6	3377 1000 10	8	Washer ø10
7	3377 0217 48	4	Ultra bushing
10	3377 0007 87	1	Cowl
11	3377 0052 59	1	Filler cap
12	3377 1000 06	8	Washer ø6
13	3377 0004 01	3	Screw M5x16
14	3377 0004 00	8	Screw M6x12
15	3377 0007 48	1	Gauge hose L=300 mm
17	3377 0050 67	1	Filter gauge complete Incl. clamp
18	3377 0004 04	1	Fitting 04 Use sealing tape
19	3371 8971 88	1	Label Panel for PAC D 10



**B**

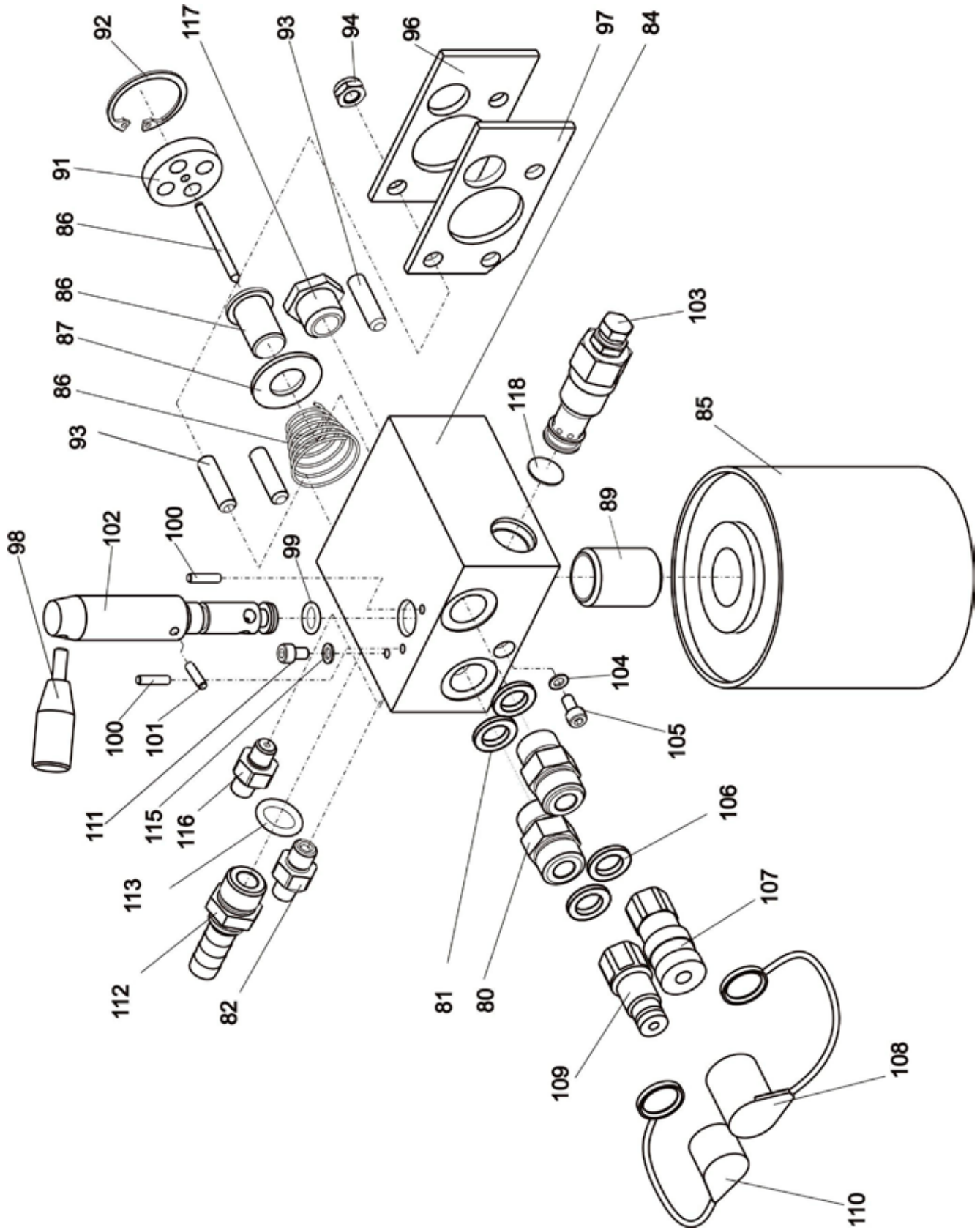


No.	Part Number	Quantity	Description
20	3377 0004 57	1	Cooler guard
21	3377 0005 06	1	Seal
22	3377 0057 02	1	Oil cooler
25	3377 0004 07	16	Washer $\varnothing$ 12/6.5x1.5 (steel)
26	3377 1100 06	8	Nut M6
27	3377 1232 06	8	Screw M6x12, use Loctite 245
28	3377 0210 65	1	Tank/chassis Complete with guard and plate
29	3377 0004 12	2	Wheel Only available in pairs
30	3377 0004 56	2	Washer $\varnothing$ 25
31	3377 0000 69	1	Seal
32	3377 0163 75	1	Seal ring Bonded seal 3/8" BSP
33	3371 8037 07	1	Fitting 06 Thread plug 3/8" BSP
37	3377 0004 05	2	Rubber foot
40	3377 0050 72	1	Sight glass
41	3377 0050 87	2	Rubber grommet
42	3377 1000 10	2	Washer $\varnothing$ 10
43	3377 0004 06	2	Screw M10x14, use Loctite 245
46		1	Data plate Not supplied separately





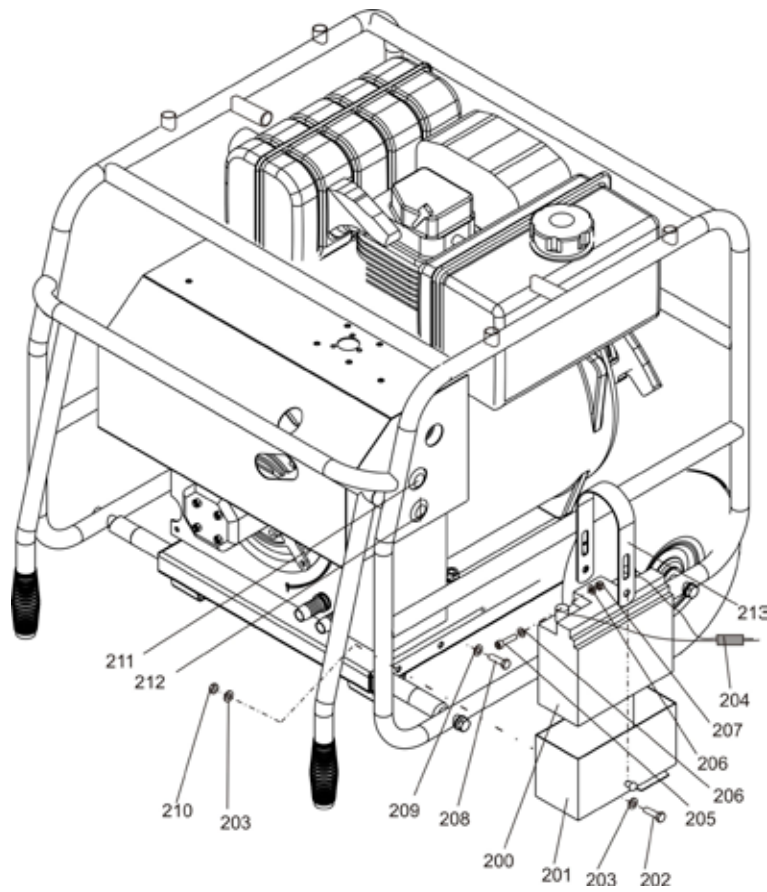
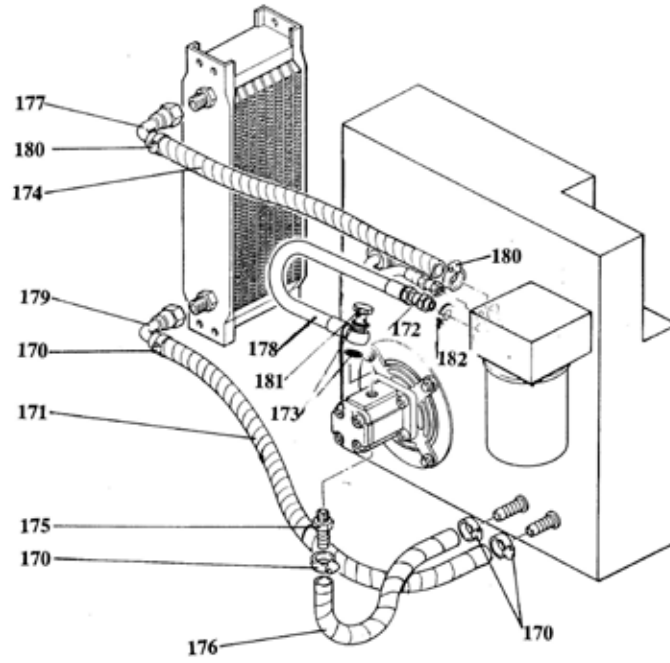
No.	Part Number	Quantity	Description
50	3377 0015 35	1	Pump plate
51	3377 0026 85	1	Fan inlet ring
52	3377 0005 07	4	Screw M8x80, use Loctite 245
53	3377 0026 22	1	Fan
54	3377 0004 08	1	Spacer ring
55	3377 0004 69	4	Washer ø8
56	3377 0211 71	1	Engine shaft extension
57	3377 0217 40	1	Diesel engine 10 HP Lombardini 15LD400
58	3377 0004 65	1	Washer 3/8
59	3377 1000 10	4	Washer ø10
60	3377 1000 10	4	Washer ø10
61	3377 1200 10	4	Screw M10x50, use Loctite 245
62	3371 8067 02	4	Nut M10
63	3377 0004 15	2	Screw M8x10
64	3377 0051 68	1	Engine half coupling
65	3377 0051 69	1	Coupling spider
66	3377 0051 71	1	Pump half coupling
67	3377 1110 08	4	Nut M8
68	3377 0004 69	4	Washer ø8
69	3377 1210 08	4	Screw M8x30, use Loctite 245
70	3377 0056 65	1	Pump 7.6 cc
71	3377 0000 30	1	Distance bushing
72	3377 0217 74	1	Screw UNF3/8x7/8"
73	3377 0004 69	4	Washer ø8
74	3377 1215 08	4	Screw M8x16, use Loctite 245
76	3377 0004 13	1	Stop screw M4x4
77	3377 0005 69	1	Parallel key 6.3x6.3x63



**D**



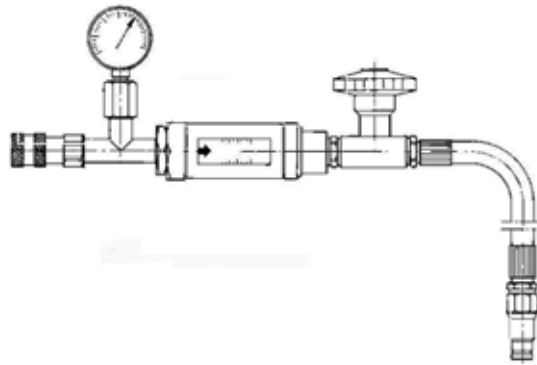
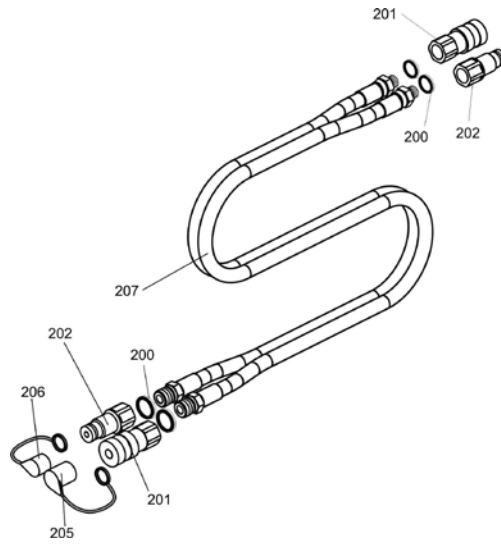
No.	Part Number	Quantity	Description	
80	3377 2223 11	2	Adaptor ¾ UNF - ¾" BSP	Use Loctite 245
81	3377 0160 19	2	Seal ring ¾ UNF	Bonded seal ¾ UNF
82	3371 8177 40	1	Fitting O2 w/seal	Use Loctite 245
84	3377 0011 98	1	Valve block	
85	3377 0217 87	1	Oil filter	25 Micron
86	3377 0050 82	1	Thermostat complete	
87	3377 1000 16	1	Washer	5/8"
89	3377 0052 63	1	Filter adaptor	Use Loctite 245
91	3377 0040 84	1	Thermostat end cap	
92	3377 0051 28	1	Locking ring	ø36x1.5
93	3377 1220 08	3	Screw	M8x30
94	3377 1110 08	3	Nut	M8
96	3377 0040 50	1	Clamp plate	
97	3377 0040 51	1	Seal	
98	3377 0041 34	1	Handle	M6, use Loctite 245
99	3377 0004 16	1	O-ring	ø9.6x2.4
100	3377 0136 04	2	Roll pin	ø4x16
101	3377 0136 04	1	Roll pin	ø4x16
102	3377 0007 44	1	Spool	
103	3377 0051 72	1	Pressure relief valve	
104	3377 0051 13	1	Seal ring	ø5/ø9x1
105	3377 1210 05	1	Screw	M5x10, use Loctite 245
106	3377 0163 75	2	Seal ring	Bonded seal ¾ BSP
107	3371 8051 37	1	Quick-release coupling	¾" Flat-face female
108	3371 8057 33	1	Protective cap	For ¾" and ½" female QRC
109	3371 8051 38	1	Quick-release coupling	¾" Flat-face male
110	3371 8057 28	1	Protective cap	For ¾" male QRC
111	3377 0004 18	1	Screw	M5x8, use Loctite 245
112	3377 0004 33	1	Hose fitting	½ hose barb - ½ BSP male
113	3371 8057 14	1	Seal ring	Bonded seal ½ BSP
115	3377 0051 13	1	Seal ring	ø5/ø9x1
116	3377 0004 35	1	Fitting O2	Use Loctite 245
117	3377 0047 47	1	By-pass valve	
118	3377 0005 88	1	Filter washer	
	3377 0210 26		Valve block complete	Incl. fig. No. 80-118



# E



No.	Part Number	Quantity	Description
170	3377 0007 91	4	Hose clip $\varnothing 26/15$
171	3377 0004 55	1	Cooler return line
172	3377 0001 13	1	Nipple
173	3371 8057 14	2	Seal ring Bonded seal $\frac{1}{2}$ BSP
174	3377 0004 46	1	Cooler feed line
175	3377 0004 61	1	Hose fitting $\frac{3}{4}$ hose - $\frac{1}{2}$ BSP male
176	3377 0004 49	1	Suction hose
177	3377 0004 62	1	Elbow hose fitting $\frac{1}{2}$ hose - $\frac{3}{4}$ BSP male
178	3377 0001 12	1	High pressure hose
179	3377 0004 63	1	Elbow hose fitting $\frac{3}{4}$ hose - $\frac{3}{4}$ BSP male
180	3377 0007 90	2	Hose clip $\varnothing 21/15$
181	3377 0007 25	1	Banjo bolt $\frac{1}{2}$ " BSP
182	3377 0160 19	1	Seal ring Bonded seal $\frac{3}{4}$ UNF
	3377 0004 97		Seal kit PAC D 10 Incl. fig. No. 31, 32, 81, 83, 97, 99, 104, 106, 173, 182
200	3377 0005 11	1	Battery 12V, 17Ah
201	3377 0005 12	1	Battery holder complete
202	3377 1215 08	2	Screw M8x16
203	3377 0004 69	4	Washer $\varnothing 8$
204	3377 0217 69	1	Cable set Incl. shoes and shrink hose
205	3377 0004 01	2	Screw M5x16
206	3377 0004 58	4	Washer $\varnothing 5$
207	3371 8147 17	2	Nut M5
208	3377 1215 08	1	Screw M8x16
209	3377 0004 69	1	Washer $\varnothing 6$
210	3377 1110 08	2	Nut M8
211	3377 0005 22	1	Starting switch
212	3377 0005 23	1	Ignition switch
213	3377 0005 53	1	Rubber belt



**F**



No.	Part Number	Quantity	Description
-----	-------------	----------	-------------

<b>Optional equipment:</b>			
	3371 8010 87	1	Twin extension hose complete Incl. fig. No. 200-207
200	3371 8057 14	4	- Seal ring Bonded seal ½ BSP
201	3371 8051 33	2	- Quick-release coupling ½" Flat-face female
202	3371 8051 34	2	- Quick-release coupling ½" Flat-face male
205	3371 8057 33	2	- Protective cap For ½" female QRC
206	3371 8057 32	2	- Protective cap For ½" male QRC
207	3371 8030 52	1	- Twin extension hose 7 m ½" BSP M – BSP M
	3371 8011 54		Test equipment



**2008-06**

**No. 3392 5163 01**

© Copyright Chicago Pneumatic Construction Tools  
STOCKHOLM • SWEDEN

**Chicago Pneumatic Construction Tools**