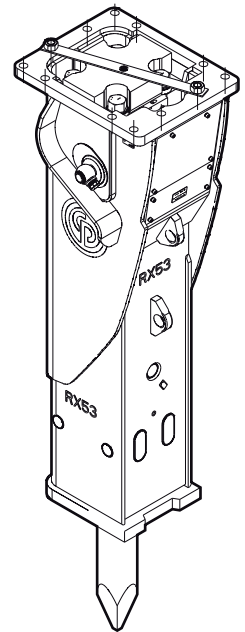


# **Spare parts list**

## **Hydraulic breakers**

### **RX 53**

Valid from serial number 51





# Contents

<b>General note</b> .....	5
<b>Spare parts list</b> .....	6
Hydraulic breaker .....	6
Percussion unit part 1: cylinder cover .....	8
Percussion unit part 2: cylinder .....	10
Percussion unit part 3: lower breaker part .....	12
Power Control - high impact energy or low impact energy .....	14
<b>Tightening torques</b> .....	16
<b>Working tools</b> .....	17
<b>Accessories</b> .....	18
Hydraulic hoses .....	18
Optional equipment .....	18
<b>Kits</b> .....	19
Seal kit .....	19
Label kit .....	19
<b>Dimensions</b> .....	20



## General note

This spare parts list applies to the following:

Part number	Description
3363 1097 39	Hydraulic breaker RX 53

Use only authorized parts. Any damage or malfunction caused by the use of unauthorized parts is not covered by Warranty or Product Liability. Any unauthorized use or copying of the contents or any part thereof is prohibited. This applies in particular to trademarks, model denominations, part numbers, and drawings.

### Instructions for use

This spare parts list contains no safety regulations and is merely intended to assist in the ordering of spare parts. For information on operating, servicing, or repairing, the relevant Safety and operating instructions must be consulted at all costs. Please observe the safety instructions listed in the relevant Safety and operating instructions!

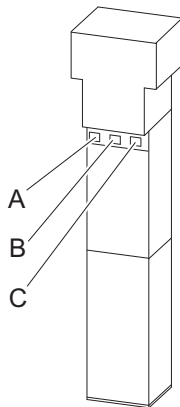
### Instructions of ordering

It is essential to indicate the serial number of the hydraulic attachment when ordering spare parts!

Please note the full identification number of your hydraulic attachment. This code can be found on the cylinder.

Determine the quantity of individual parts which are required and need to be ordered. The order must indicate the following details:

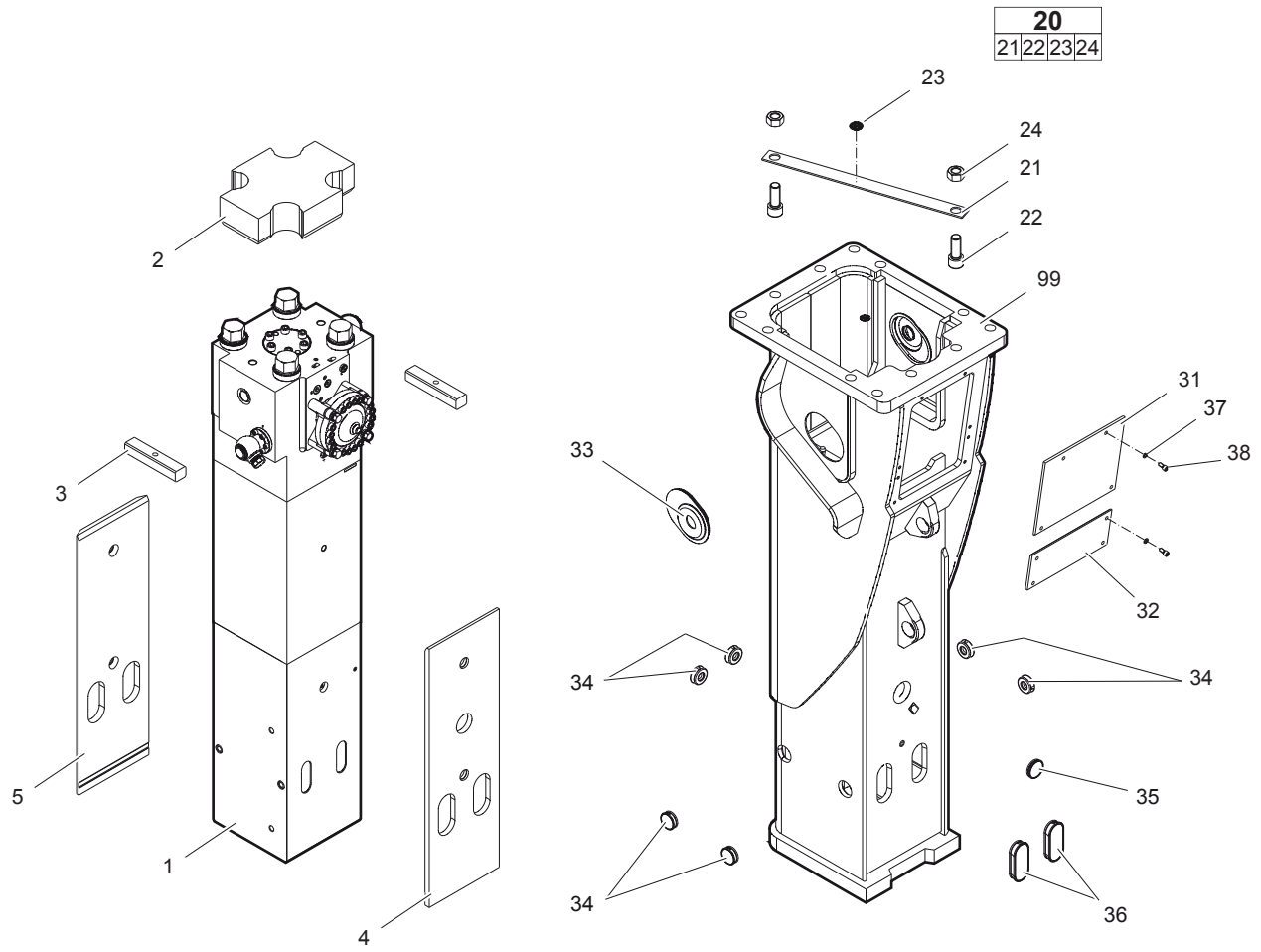
- > full identification code of the hydraulic attachment
- > required quantity
- > part number
- > description



- A. Cylinder number
- B. Type
- C. Serial number

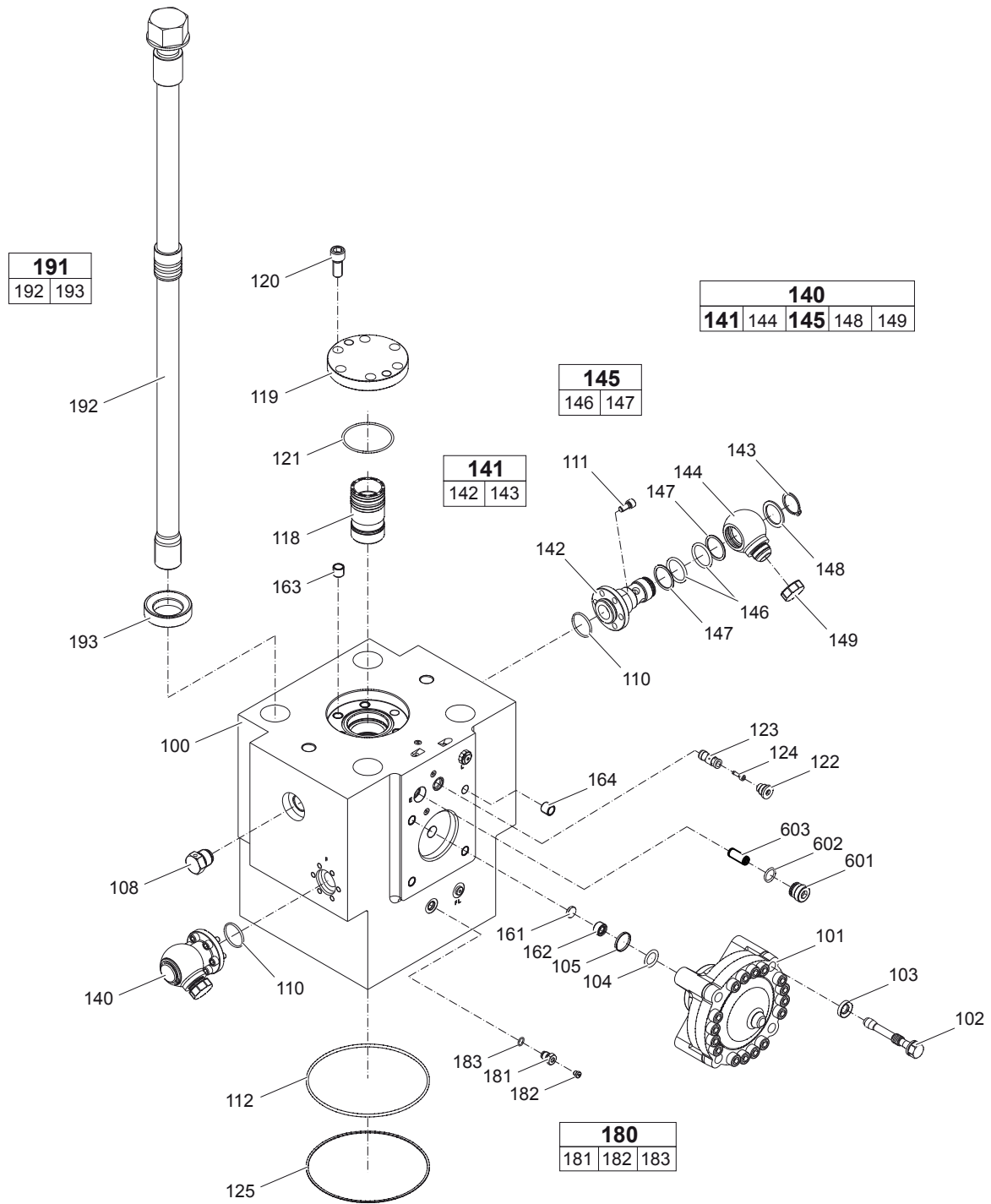
# Spare parts list

## Hydraulic breaker



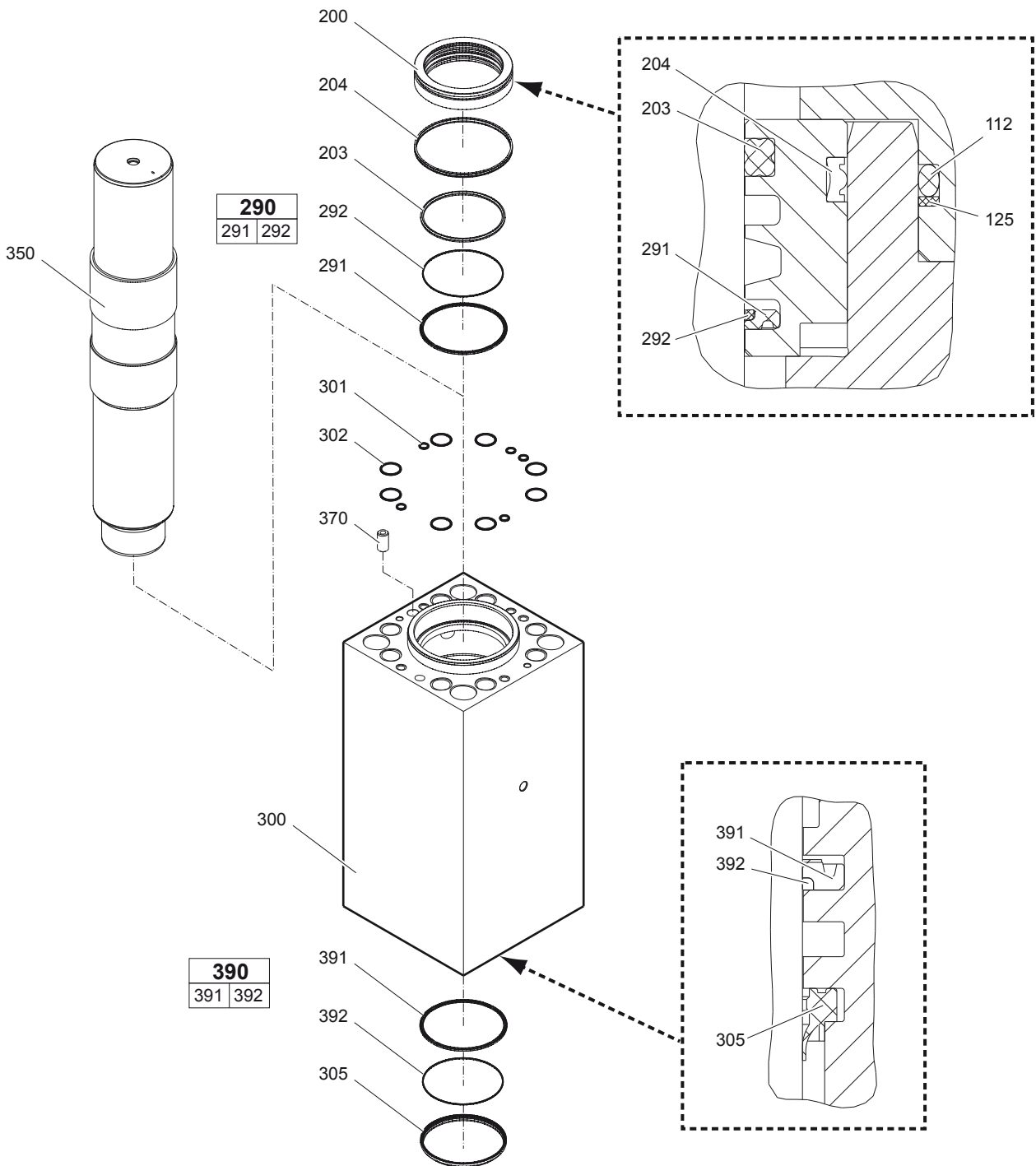
No.	Description	Remark	Quantity	Part number
1	Percussion unit	see separate chapter	1	3363 1055 33
2	Elastic pad		1	3363 1059 77
3	Shock absorber		2	3363 1040 73
4	Guide plate		1	3363 1097 97
5	Guide plate		1	3363 1097 99
<b>20(21-24)</b>	<b>Transport safety device complete</b>		1	3363 0834 64
21	Transport safety device		1	-
22	Allen screw		2	3360 1141 51
23	Label transport safety device		1	3363 0918 72
24	Nut		2	3360 1032 55
31	Cover		1	3363 1097 93
32	Cover		1	3363 1097 95
33	Cover		2	3363 0311 81
34	Plug		6	3363 0860 17
35	Plug		1	3362 2678 93
36	Plug		2	3363 0860 13
37	Pair of lock washers		8	3361 8505 96
38	Allen screw		8	3360 1037 50
99	Breaker box		1	3363 1067 99

# Percussion unit part 1: cylinder cover



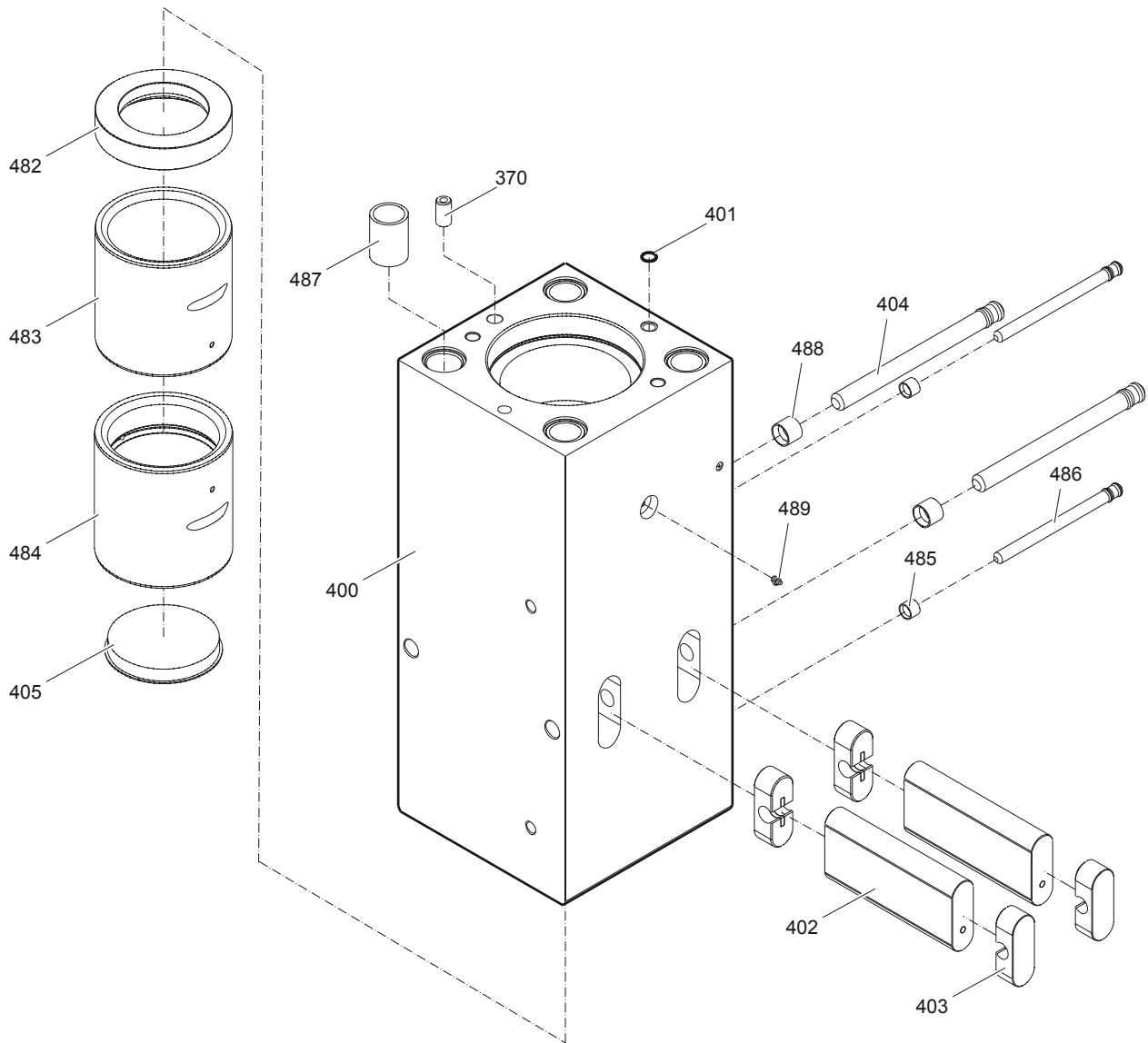
No.	Description	Remark	Quantity	Part number
100	Cylinder cover	with no. 161 - 164	1	3363 1066 14
101	HP-accumulator		1	3363 0695 87
102	Expansion bolt		4	3361 8515 91
103	Washer		4	3363 0922 53
104	O-ring		1	3360 3143 64
105	Back-up ring		1	3360 3280 46
108	Non-return valve		1	3361 8545 11
110	O-ring		2	3360 3143 73
111	Allen screw		12	3360 1037 50
112	O-ring		1	3361 0318 10
118	Main control valve		1	3363 0885 69
119	Cover		1	3361 3315 55
120	Allen screw		6	3360 1037 76
121	O-ring		1	3360 3143 75
122	Threaded plug		1	3363 0337 49
123	Valve housing		1	3363 0330 59
124	Valve piston		1	3363 1053 05
125	Back-up ring		1	3363 0874 83
<b>140(141,144,145,148-149)</b>	<b>Swivel joint complete</b>		2	3362 2699 99
<b>141(142-143)</b>	<b>Adapter complete</b>		1	3363 1034 71
142	Adapter		1	-
143	Snapping		1	3363 1031 33
144	Adapter		1	3361 3566 43
<b>145(146-147)</b>	<b>Seal kit</b>		1	3361 8504 22
146	O-ring		2	-
147	Back-up ring		2	-
148	Disk		1	3361 3566 45
149	Cap		1	3361 3534 89
161	Strainer disk		1	3361 8441 13
162	Threaded plug		1	3361 8441 15
163	Threaded insert		6	3361 0315 29
164	Threaded insert		4	3363 0899 16
<b>180(181-183)</b>	<b>Filling valve complete</b>		1	3363 0872 86
181	Filling valve		1	-
182	Threaded plug		1	3360 4784 26
183	O-ring		1	3360 1751 25
<b>191(192-193)</b>	<b>Tensioning bolt complete</b>		4	3363 0855 00
192	Tensioning bolt		1	3363 0846 21
193	Washer		1	3363 0936 53
601	Plug		1	3363 0825 93
602	O-ring		1	3363 0832 45
603	Valve	Power Control	1	3363 1059 09

# Percussion unit part 2: cylinder



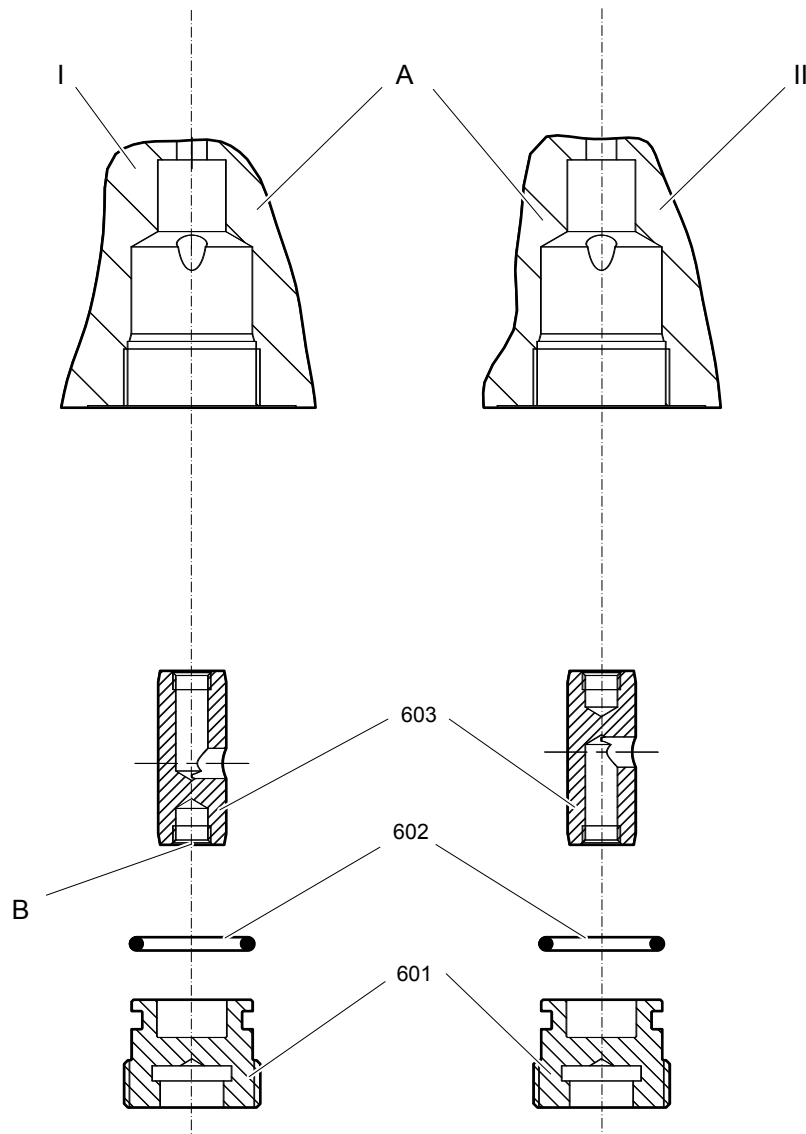
No.	Description	Remark	Quantity	Part number
200	Seal bush		1	3363 0855 98
203	Seal		1	3361 8462 77
204	Seal		1	3363 0981 38
<b>290(291-292)</b>	<b>Seal kit</b>		1	3363 0835 93
291	Seal		1	-
292	Back-up ring		1	-
300	Cylinder		1	3363 1066 16
301	Seal		5	3362 2675 85
302	Seal		8	3362 2675 89
305	Wiper		1	3363 0836 71
350	Percussion piston		1	3361 3566 13
370	Lock pin		1	3360 9214 13
<b>390(391-392)</b>	<b>Seal kit</b>		1	3363 0835 94
391	Seal		1	-
392	Back-up ring		1	-

## Percussion unit part 3: lower breaker part



No.	Description	Remark	Quantity	Part number
370	Lock pin		1	3360 9214 13
400	Lower breaker part	with no. 482 - 489	1	3363 1066 31
401	Seal		1	3362 2675 86
402	Retainer bar		2	3361 3315 29
403	Plug		4	3362 2629 21
404	Bolt		2	3362 2615 40
405	Protective cap		1	3361 3297 94
482	Buffer ring		1	3363 0690 83
483	Wear bush		1	3363 1055 51
484	Wear bush		1	3363 1055 49
485	Locking bush		2	3361 8543 63
486	Bolt		2	3361 8543 47
487	Threaded insert		4	3363 0853 21
488	Locking bush		2	3362 2604 33
489	Grease nipple		1	3360 4337 74

# Power Control - high impact energy or low impact energy



No.	Description	Remark	Quantity	Part number
601	Plug		1	3363 0825 93
602	O-ring		1	3363 0832 45
603	Valve	Power Control	1	3363 1059 09

I = Low impact energy integration setting

II = High impact energy integration setting (standard setting on delivery)

A. Port bore in cylinder cover

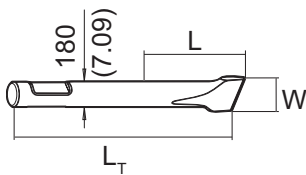
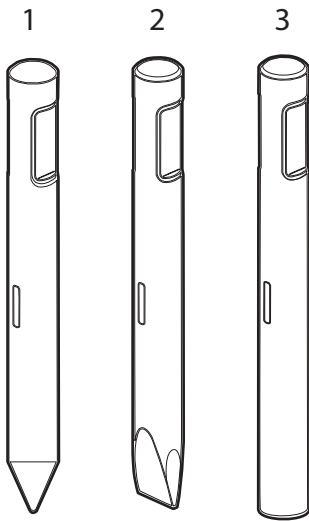
B. M 10 thread (both ends) for mounting

The position of the Power Control unit is shown on the percussion unit illustrations.

## Tightening torques

No.	Description	Tightening torque	Remark
102	Expansion bolt		Allen key size 30 1. Treat the threads and threaded inserts for the expansion bolts with an anti-seize agent. 2. Treat the surfaces between the bolt head, washer, and HP-accumulator cover with anti-seize. 3. Place on the HP-accumulator, and tighten the expansion bolts by hand in a crosswise fashion. 4. Pre-tighten the expansion bolts to 100 Nm crosswise, 5. retighten 30° crosswise, 6. retighten 60° crosswise.
108	Non-return valve	200 Nm	Socket spanner size 41
111	Allen screw	80 Nm	Allen key size 10
120	Allen screw	380 Nm	Allen key size 17
123	Threaded plug	100 Nm Loctite 243	Allen key size 12
181	Filling valve	130 Nm	Socket spanner size 22
182	Threaded plug	20 Nm	Allen key size 5
192	Tensioning bolt		Torque wrench or Power wrench size 65 1. Pretighten the tensioning bolts to 500 Nm, proceeding in a crosswise fashion, 2. then tighten each tensioning bolt through 120° (2 sides of hexagonal head) in a crosswise fashion, 3. finally tighten each tensioning bolt again through 180° (3 sides of hexagonal head) in a crosswise fashion.
601	Plug	200 Nm	Allen key size 17

# Working tools



## Metric

No.	Description	Remark	W (mm)	L (mm)	L <sub>T</sub> (mm)	Wt (kg)	Part number
1	Moil point			735	1500	256.6	4211 1055 21
2	Chisel (cross)		180	735	1500	271.9	4211 1055 22
3	Blunt tool			735	1500	290.9	4211 1055 19

## Imperial

No.	Description	Remark	W (in.)	L (in.)	L <sub>T</sub> (in.)	Wt (lb)	Part number
1	Moil point			28.94	59.06	565.7	4211 1055 21
2	Chisel (cross)		7.09	28.94	59.06	599.4	4211 1055 22
3	Blunt tool			28.94	59.06	641.2	4211 1055 19

## Accessories

### Hydraulic hoses

Description	Remark	Quantity	Part number
Hose	I.D. 32 (1 1/4"), both ends JIC 1 5/8", length 2800 mm (110 in.)	2	3361 8538 60
Hose	I.D. 32 (1 1/4"), both ends JIC 1 5/8", length 3500 mm (138 in.)	2	3363 0838 61

### Optional equipment

Description	Remark	Quantity	Part number
Chisel paste cartridge for grease gun and CP-Lube	30 x 500 g (1.1 lbs)	1	3363 0949 10
Grease gun for cartridge CP-Lube		1	3363 0345 67
Service box no. II with nitrogen cylinder	5 l	1	3363 0898 45
Service box no. III without nitrogen cylinder		1	3363 0949 40
Test gauge lower wear bush		1	3361 8521 75
Calliper upper wear bush		1	3363 0949 52
Adapter plate matching the carrier Consult the Chicago Pneumatic Customer Center/Dealer in your area.		1	-
Base plate with threaded inserts		1	3363 0997 93
Bolt kit		1	3363 0873 04
Base plate with through borings		1	3363 1028 71
Bolt kit		1	3363 0945 76
Allen key	27 mm for bolt kit	1	3360 4789 49

## Kits

### Seal kit

---

No.	Description	Remark	Quantity	Part number
	Seal kit		1	3363 1101 07

---

### Label kit

---

No.	Description	Remark	Quantity	Part number
	Label kit		1	3363 1101 09

---

# Dimensions

mm (inch)

